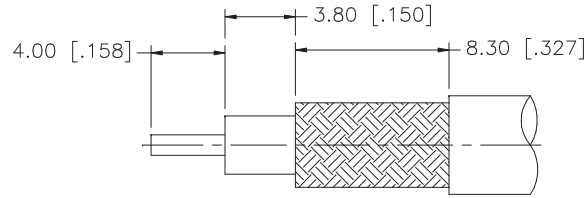
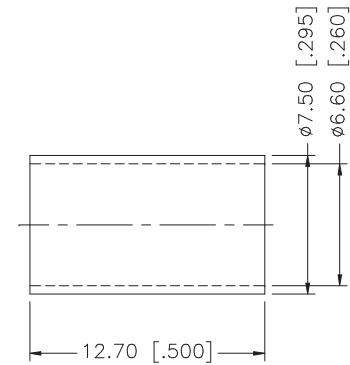
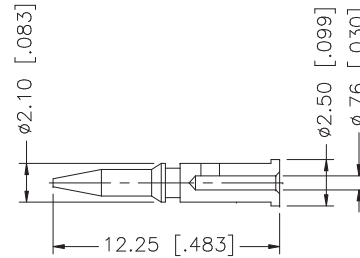
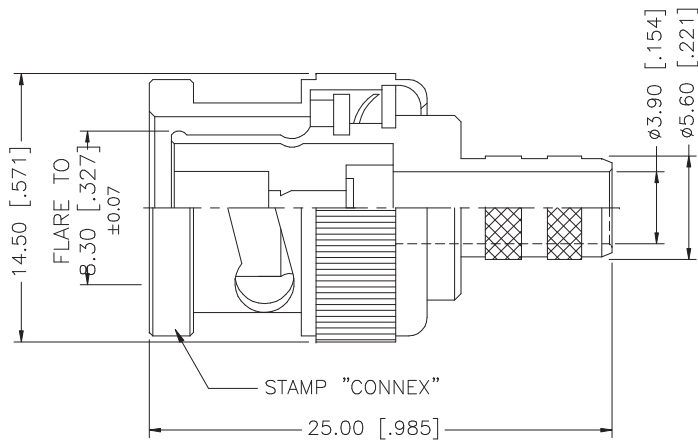


REV.	DATE	DESCRIPTION
A	11/19/03	UPDATE DRAWING FORMAT



RECOMMENDED  
CABLE STRIPPING DIMS.



NOTE:

1. CRIMPED FERRULE  
HEX. CRIMP SIZE .255"
2. CRIMPED CONTACT PIN  
HEX CRIMP SIZE .068"

8				<small>UNLESS OTHERWISE SPECIFIED DIMENSIONS ARE IN MILLIMETERS. DIMENSIONS IN [ ] ARE IN INCHES AND FOR CUSTOMER REFERENCE ONLY.</small>  <small>UNLESS OTHERWISE SPECIFIED TOLERANCES FOR MILLIMETERS ARE:  0.5 - 8mm ± 0.20mm  8 - 30mm ± 0.40mm  30 - 120mm ± 0.50mm</small>  <small>UNLESS OTHERWISE SPECIFIED TOLERANCES FOR INCHES ARE:  .020 - .315 = ± 0.007"  .315 - 1.180 = ± 0.015"  1.180 - 4.724 = ± 0.020"</small>	APPROVALS	DATE	<h1 style="margin: 0;">Amphenol Connex</h1>				
7					DRAWN	G.R.S.					11/19/03
6					CHECKED			<b>PART DESCRIPTION</b>  <b>BNC CRIMP PLUG (FOR RG-59C/U CABLE)</b>			
5					ISSUED						
4	FERRULE	COPPER	NICKEL		1	SHEET	1 OF 1	<b>PART NO.</b>  <b>112118</b>			
3	CONTACT PIN	BRASS	GOLD		1						
2	INSULATOR	DELIRIN	NATURAL		1			<b>DWG. NO.</b> 112118.DWG <b>REV.</b> A <b>SIZE</b> A <b>SCALE</b> NA			
1	BODY	BRASS	NICKEL		1						
	DESCRIPTION	MATERIAL	FINISH	QTY	<small>DO NOT SCALE DRAWING</small> CAD FILE C:/112/112118.DWG						