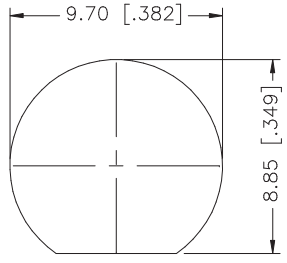
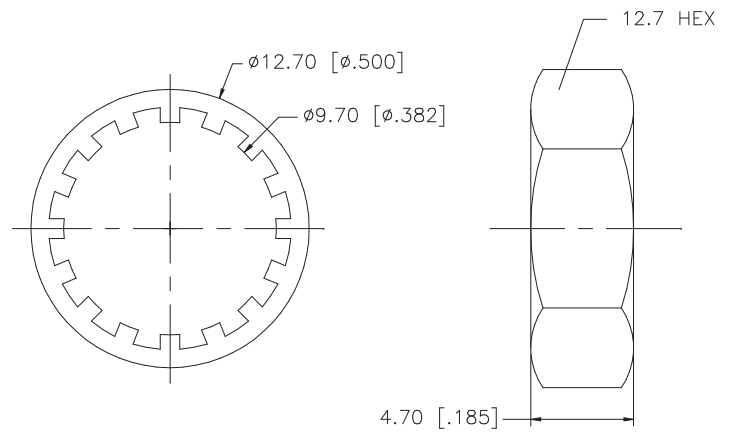
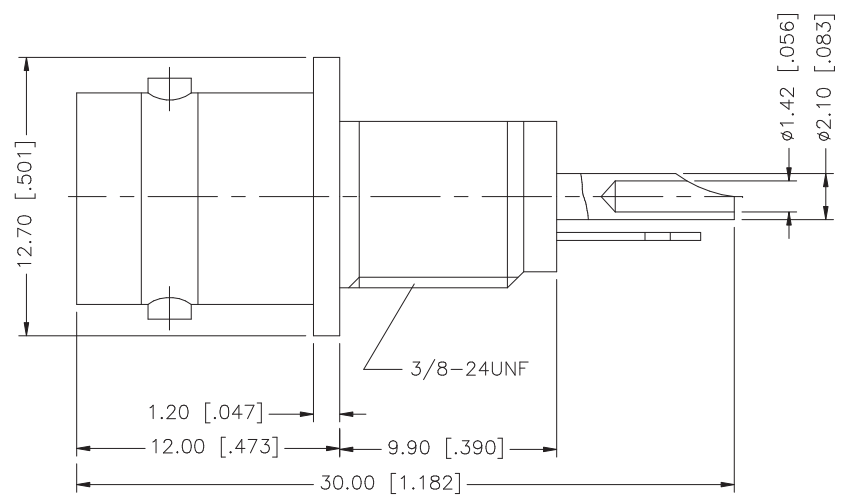


REV.	DATE	DESCRIPTION
A	11/19/03	UPDATE DRAWING FORMAT



RECOMMENDED MOUNTING HOLE



- NOTE:
1. MAX. PANEL THICKNESS = 3.2mm
 2. RECOMMENDED TORQUE: A MAXIMUM 12 INCH-LBS MAY BE APPLIED ON HEX NUT WHEN MOUNTING CONNECTOR IN PANEL

				UNLESS OTHERWISE SPECIFIED DIMENSIONS ARE IN MILLIMETERS. DIMENSIONS IN [] ARE IN INCHES AND FOR CUSTOMER REFERENCE ONLY.	APPROVALS	DATE	Amphenol Connex						
8					DRAWN	G.R.S.					11/19/03	PART DESCRIPTION BNC BULKHEAD RECEPTACLE ISOLATED JACK - 75ohm	
7					CHECKED			PART NO. 112432					
6					ISSUED							DWG. NO. 112432.DWG	
5	LOCK WASHER	BRASS	NICKEL	1	SHEET	1 OF 1		REV.	A	SIZE	A		
4	HEX NUT	BRASS	NICKEL	1	UNLESS OTHERWISE SPECIFIED TOLERANCES FOR MILLIMETERS ARE: 0.5 - 8mm ± 0.20mm 8 - 30mm ± 0.40mm 30 - 120mm ± 0.50mm UNLESS OTHERWISE SPECIFIED TOLERANCES FOR INCHES ARE: .020 - .315 = ± 0.007" .315 - 1.180 = ± 0.015" 1.180 - 4.724 = ± 0.020"				DO NOT SCALE DRAWING				
3	CONTACT PIN	PHOS. BRONZE	GOLD	1									
2	INSULATOR	TEFLON	NATURAL	1	CAD FILE C:/112/112432.DWG								
1	BODY	BRASS	NICKEL	1									
	DESCRIPTION	MATERIAL	FINISH	QTY									