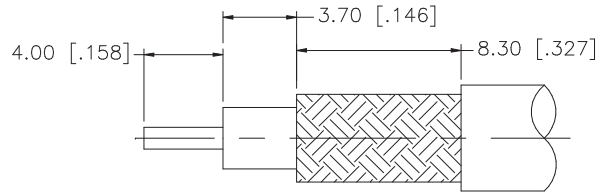
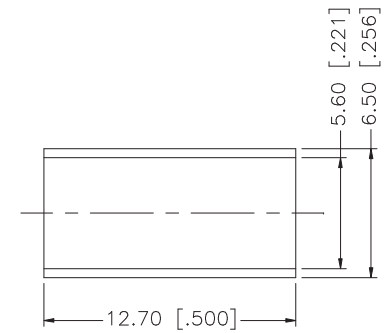
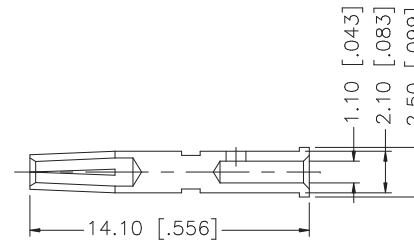
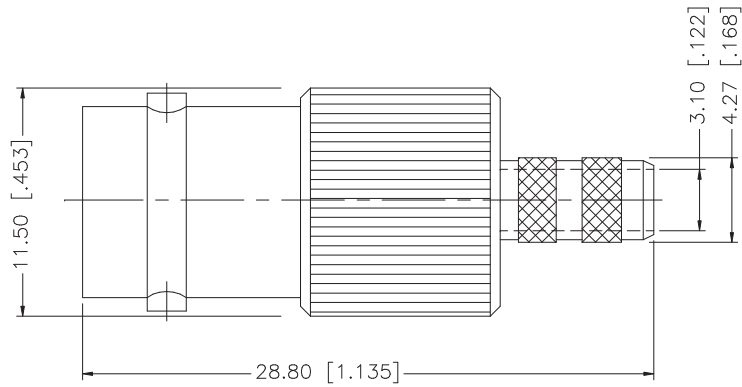


REV.	DATE	DESCRIPTION
NC	07/31/05	INITIAL RELEASE
A	10/30/05	MODIFY FERRULE DIMENSIONS, ADD CABLE DESCRIPTION.



RECOMMENDED
CABLE STRIPPING DIM'S



NOTE:

1. CRIMPED FERRULE
HEX CRIMP SIZE .213"
2. CRIMPED CONTACT PIN
HEX CRIMP SIZE .068"

8					<p>UNLESS OTHERWISE SPECIFIED DIMENSIONS ARE IN MILLIMETERS. DIMENSIONS IN [] ARE IN INCHES AND FOR CUSTOMER REFERENCE ONLY.</p> <p>UNLESS OTHERWISE SPECIFIED TOLERANCES FOR MILLIMETERS ARE: 0.5 - 8mm ± 0.20mm 8 - 30mm ± 0.40mm 30 - 120mm ± 0.50mm</p> <p>UNLESS OTHERWISE SPECIFIED TOLERANCES FOR INCHES ARE: .020 - .315 = ± 0.007" .315 - 1.180 = ± 0.015" 1.180 - 4.724 = ± 0.020"</p> <p>DO NOT SCALE DRAWING</p>	APPROVALS	DATE	<h1 style="text-align: center;">Amphenol Connex</h1>				
7						DRAWN	G.R.S.					10/30/05
6						CHECKED			PART DESCRIPTION			
5						ISSUED			BNC CRIMP JACK (FOR RG-223/U, 142/U, 402/U CABLE)			
4	FERRULE	COPPER	NICKEL	1		SHEET	1 OF 1		PART NO.			
3	CONTACT PIN	PHOS. BRONZE	GOLD	1					112513			
2	INSULATOR	DELTRIN	NATURAL	1					DWG. NO.			
1	HOUSING/BODY	BRASS	NICKEL	1					112513.DWG	REV. A	SIZE A	SCALE NA
	DESCRIPTION	MATERIAL	FINISH	QTY				C:/112/112513.DWG				