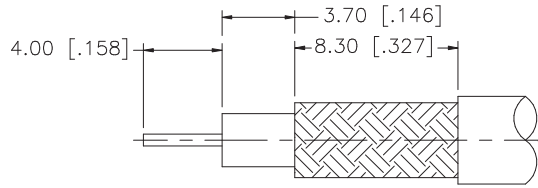
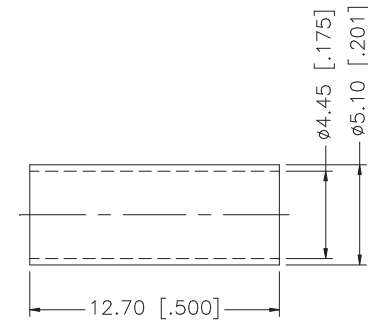
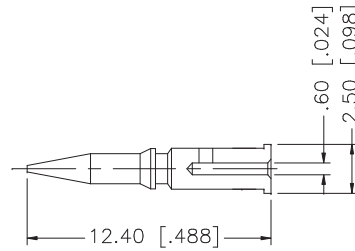
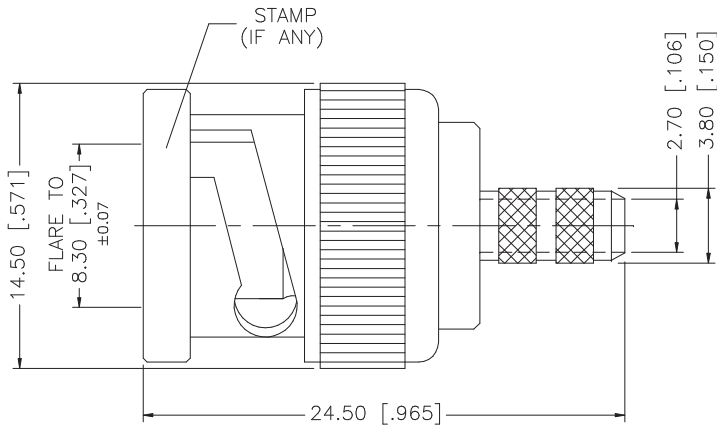


REV.	DATE	DESCRIPTION
A	11/21/03	UPDATE DRAWING FORMAT



RECOMMENDED CABLE STRIPPING DIM'S



CRIMP NOTES:

1. CRIMPED FERRULE
HEX CRIMP SIZE .178"
2. CRIMPED CONTACT PIN
HEX CRIMP SIZE .068"

REV.	DATE	DESCRIPTION	
A	11/21/03	UPDATE DRAWING FORMAT	
8			
7			
6			
5			
4	FERRULE	COPPER	
3	CONTACT PIN	BRASS	
2	INSULATOR	DELTRIN	
1	BODY	BRASS	
	DESCRIPTION	MATERIAL	
		FINISH	
		QTY	
UNLESS OTHERWISE SPECIFIED DIMENSIONS ARE IN MILLIMETERS. DIMENSIONS IN [] ARE IN INCHES AND FOR CUSTOMER REFERENCE ONLY.		APPROVALS	DATE
UNLESS OTHERWISE SPECIFIED TOLERANCES FOR MILLIMETERS ARE: 0.5 - 8mm ± 0.20mm 8 - 30mm ± 0.40mm 30 - 120mm ± 0.50mm		DRAWN	G.R.S. 11/21/03
UNLESS OTHERWISE SPECIFIED TOLERANCES FOR INCHES ARE: .020 - .315 = ± 0.007" .315 - 1.180 = ± 0.015" 1.180 - 4.724 = ± 0.020"		CHECKED	
DO NOT SCALE DRAWING		ISSUED	
		SHEET	1 OF 1
		CAD FILE	C:/112/112521.DWG
		DWG. NO.	112521.DWG
		REV.	A
		SIZE	A
		SCALE	NA
Amphenol Connex			
PART DESCRIPTION BNC CRIMP PLUG (FOR BELDEN 1865A, 8218, B1417B, B1164B, RG-B809)			
PART NO. 112521			