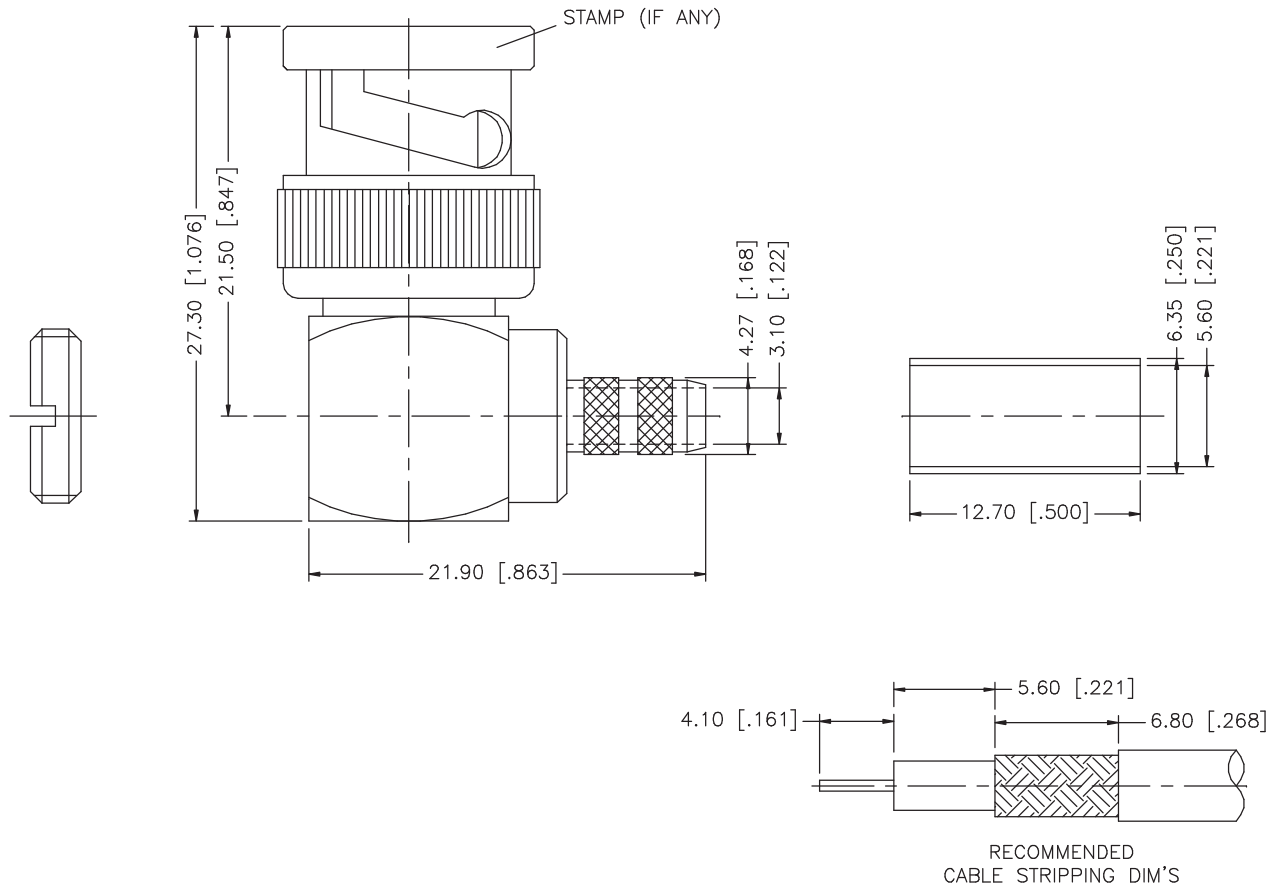


REV.	DATE	DESCRIPTION
A	06/05/03	UPDATE DRAWING FORMAT



8					<small>UNLESS OTHERWISE SPECIFIED DIMENSIONS ARE IN MILLIMETERS, DIMENSIONS IN [] ARE IN INCHES AND FOR CUSTOMER REFERENCE ONLY.</small> <small>UNLESS OTHERWISE SPECIFIED TOLERANCES FOR MILLIMETERS ARE:</small> 0.5 - 8mm ± 0.20mm 8 - 30mm ± 0.40mm 30 - 120mm ± 0.50mm <small>UNLESS OTHERWISE SPECIFIED TOLERANCES FOR INCHES ARE:</small> .020 - .315 = ± 0.007" .315 - 1.180 = ± 0.015" 1.180 - 4.724 = ± 0.020"	APPROVALS	DATE	<h1 style="text-align: center;">Amphenol Connex</h1>							
7				DRAWN		G.R.S.	06/05/03								
6				CHECKED				PART DESCRIPTION							
5	NUT	BRASS	NICKEL	1		ISSUED			BNC R/A CRIMP PLUG (FOR RG-223/U, 55/U, 142A/U, 400/U)						
4	FERRULE	COPPER	NICKEL	1	SHEET	1 OF 1		PART NO.							
3	CONTACT PIN	BRASS	GOLD	1				112526							
2	INSULATOR	DELIRIN	NATURAL	1				DWG. NO.	112526.DWG	REV.	A	SIZE	A	SCALE	NA
1	SHELL/BODY	BRASS	NICKEL	1											
	DESCRIPTION	MATERIAL	FINISH	QTY	DO NOT SCALE DRAWING		CAD FILE	C:/112/112526.DWG							