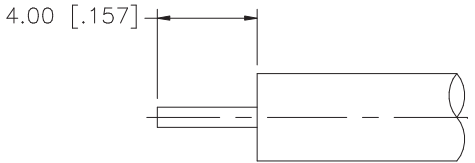
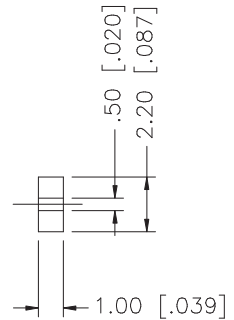
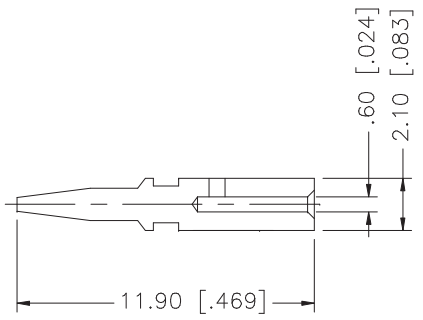
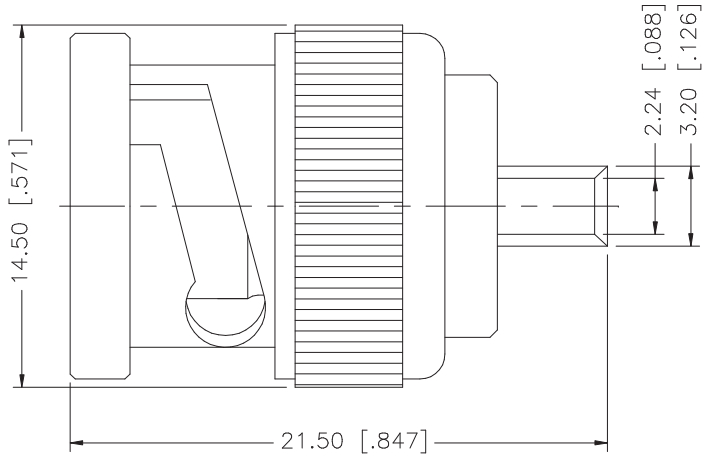


REV.	DATE	DESCRIPTION
NC	01/01/05	INITIAL RELEASE
A	03/18/05	UPDATE DRAWING FORMAT
B	08/28/06	REVISE BARREL DIMENSIONS TO 2.24mm ID / 3.20mm O.D.
		CONTACT PIN I.D. TO .60mm/ INSULATOR .50mm I.D. AND 2.2mm O.D.



RECOMMENDED
CABLE STRIPPING DIM'S



NOTE:
1. CRIMPED CONTACT PIN
HEX CRIMP SIZE 1.72 [0.068"]

8				
7				
6				
5				
4				
3	CONTACT PIN	BRASS	GOLD	1
2	INSULATOR	TEFLON	NATURAL	1
1	BODY	BRASS	GOLD	1
	DESCRIPTION	MATERIAL	FINISH	QTY

UNLESS OTHERWISE SPECIFIED DIMENSIONS ARE IN MILLIMETERS. DIMENSIONS IN [] ARE IN INCHES AND FOR CUSTOMER REFERENCE ONLY.

UNLESS OTHERWISE SPECIFIED TOLERANCES FOR MILLIMETERS ARE:
0.5 - 8mm ± 0.20mm
8 - 30mm ± 0.40mm
30 - 120mm ± 0.50mm

UNLESS OTHERWISE SPECIFIED TOLERANCES FOR INCHES ARE:
.020 - .315 = ± 0.007"
.315 - 1.180 = ± 0.015"
1.180 - 4.724 = ± 0.020"

DO NOT SCALE DRAWING

APPROVALS	DATE
DRAWN G.R.S.	08/28/06
CHECKED	
ISSUED	
SHEET 1 OF 1	
CAD FILE	C:/112/112552.DWG

Amphenol Connex

PART DESCRIPTION
**BNC DIRECT SOLDER PLUG
(FOR .085", .086" SEMI RIGID CABLE)**

PART NO.
112552

DWG. NO.	112552.DWG	REV.	B	SIZE	A	SCALE	NA
----------	------------	------	---	------	---	-------	----