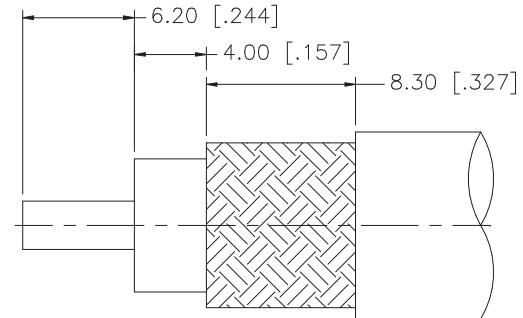
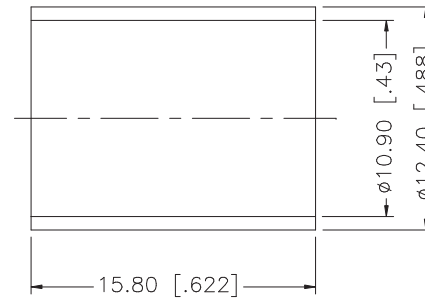
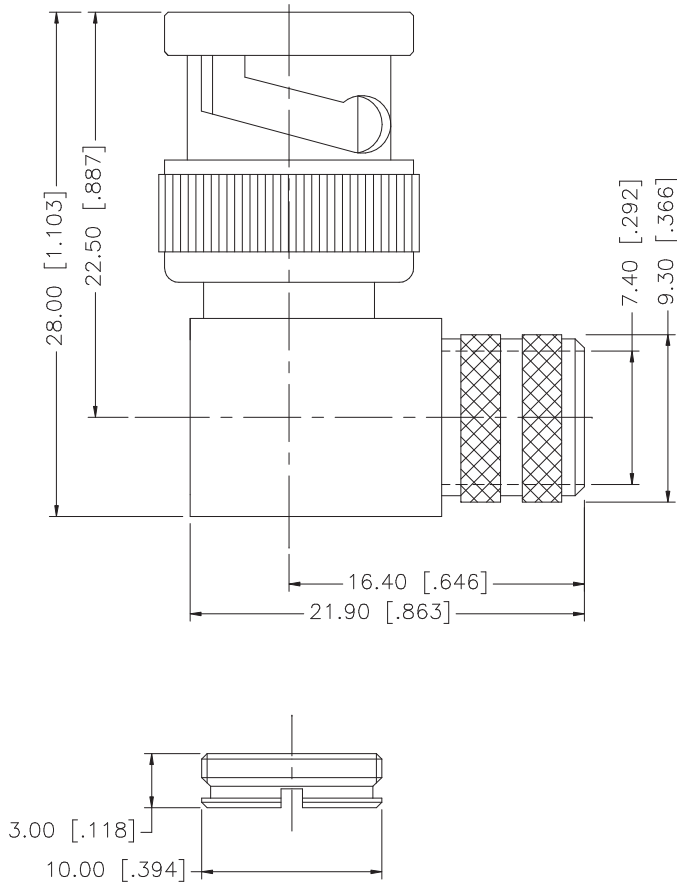


REV.	DATE	DESCRIPTION
NC	04/29/98	INITIAL RELEASE
A	07/20/05	UPDATE DRAWING FORMAT



RECOMMENDED
CABLE STRIPPING DIM'S

REV.	DATE	DESCRIPTION
8		
7		
6		
5	COVER	BRASS NICKEL 1
4	FERRULE	BRASS NICKEL 1
3	CONTACT PIN	BRASS GOLD 1
2	INSULATOR	TEFLON NATURAL 1
1	BODY	BRASS NICKEL 1
	DESCRIPTION	MATERIAL FINISH QTY

UNLESS OTHERWISE SPECIFIED DIMENSIONS ARE IN MILLIMETERS. DIMENSIONS IN [] ARE IN INCHES AND FOR CUSTOMER REFERENCE ONLY.		APPROVALS	DATE	<h1 style="text-align: center;">Amphenol Connex</h1> <p style="text-align: center;">PART DESCRIPTION BNC R/A CRIMP PLUG (FOR RG-8/U, 213/U CABLE)</p> <p style="text-align: center;">PART NO. 112594</p>
DRAWN	G.R.S.	07/20/05		
CHECKED				
ISSUED				
SHEET	1 OF 1			
UNLESS OTHERWISE SPECIFIED TOLERANCES FOR MILLIMETERS ARE: 0.5 - 8mm ± 0.20mm 8 - 30mm ± 0.40mm 30 - 120mm ± 0.50mm		CAD FILE C:/112/112594.DWG		DWG. NO. 112594.DWG
UNLESS OTHERWISE SPECIFIED TOLERANCES FOR INCHES ARE: .020 - .315 = ± 0.007" .315 - 1.180 = ± 0.015" 1.180 - 4.724 = ± 0.020"		REV.	SIZE	SCALE
DO NOT SCALE DRAWING		A	A	NA