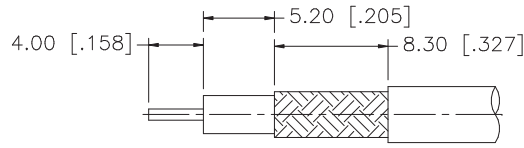
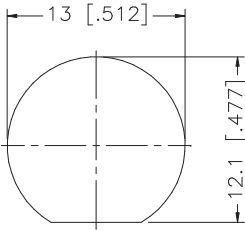
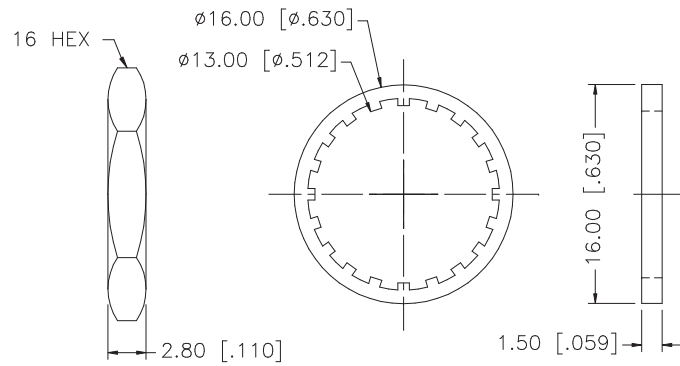


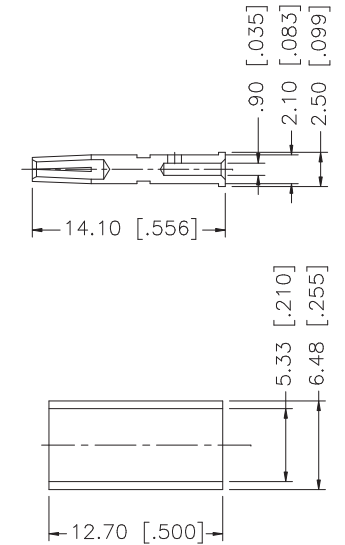
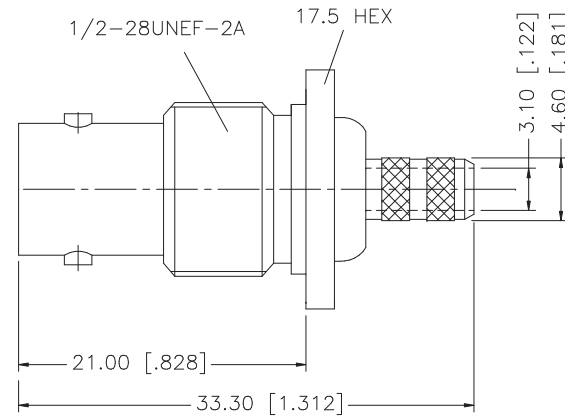
| REV. | DATE     | DESCRIPTION     |
|------|----------|-----------------|
| NC   | 11/02/05 | INITIAL RELEASE |



RECOMMENDED  
CABLE STRIPPING DIM'S



RECOMMENDED  
MOUNTING HOLE



CRIMP NOTES:

1. CRIMPED FERRULE  
HEX CRIMP SIZE .213"
2. CRIMPED CONTACT PIN  
HEX CRIMP SIZE .068"

|   |             |              |         |     |
|---|-------------|--------------|---------|-----|
| 9 |             |              |         |     |
| 8 |             |              |         |     |
| 7 | FERRULE     | COPPER       | NICKEL  | 1   |
| 6 | HEX NUT     | BRASS        | NICKEL  | 1   |
| 5 | LOCK WASHER | BRASS        | NICKEL  | 1   |
| 4 | GASKET      | RUBBER       | RED     | 1   |
| 3 | CONTACT PIN | PHOS. BRONZE | GOLD    | 1   |
| 2 | INSULATOR   | TEFLON       | NATURAL | 1   |
| 1 | BODY        | BRASS        | NICKEL  | 1   |
|   | DESCRIPTION | MATERIAL     | FINISH  | QTY |

UNLESS OTHERWISE SPECIFIED DIMENSIONS ARE IN MILLIMETERS. DIMENSIONS IN [ ] ARE IN INCHES AND FOR CUSTOMER REFERENCE ONLY.

UNLESS OTHERWISE SPECIFIED TOLERANCES FOR MILLIMETERS ARE:  
0.5 - 8mm ± 0.20mm  
8 - 30mm ± 0.40mm  
30 - 120mm ± 0.50mm

UNLESS OTHERWISE SPECIFIED TOLERANCES FOR INCHES ARE:  
.020 - .315 = ± 0.007"  
.315 - 1.180 = ± 0.015"  
1.180 - 4.724 = ± 0.020"

DO NOT SCALE DRAWING

| APPROVALS    | DATE              |
|--------------|-------------------|
| DRAWN G.R.S. | 11/02/05          |
| CHECKED      |                   |
| ISSUED       |                   |
| SHEET 1 OF 1 |                   |
| CAD FILE     | C:/112/112210.DWG |

# Amphenol Connex

PART DESCRIPTION  
BNC BULKHEAD CRIMP JACK  
(FOR RG58/U, 141/U CABLE)

PART NO. 112210

| DWG. NO.   | REV. | SIZE | SCALE |
|------------|------|------|-------|
| 112210.DWG | NC   | A    | NA    |