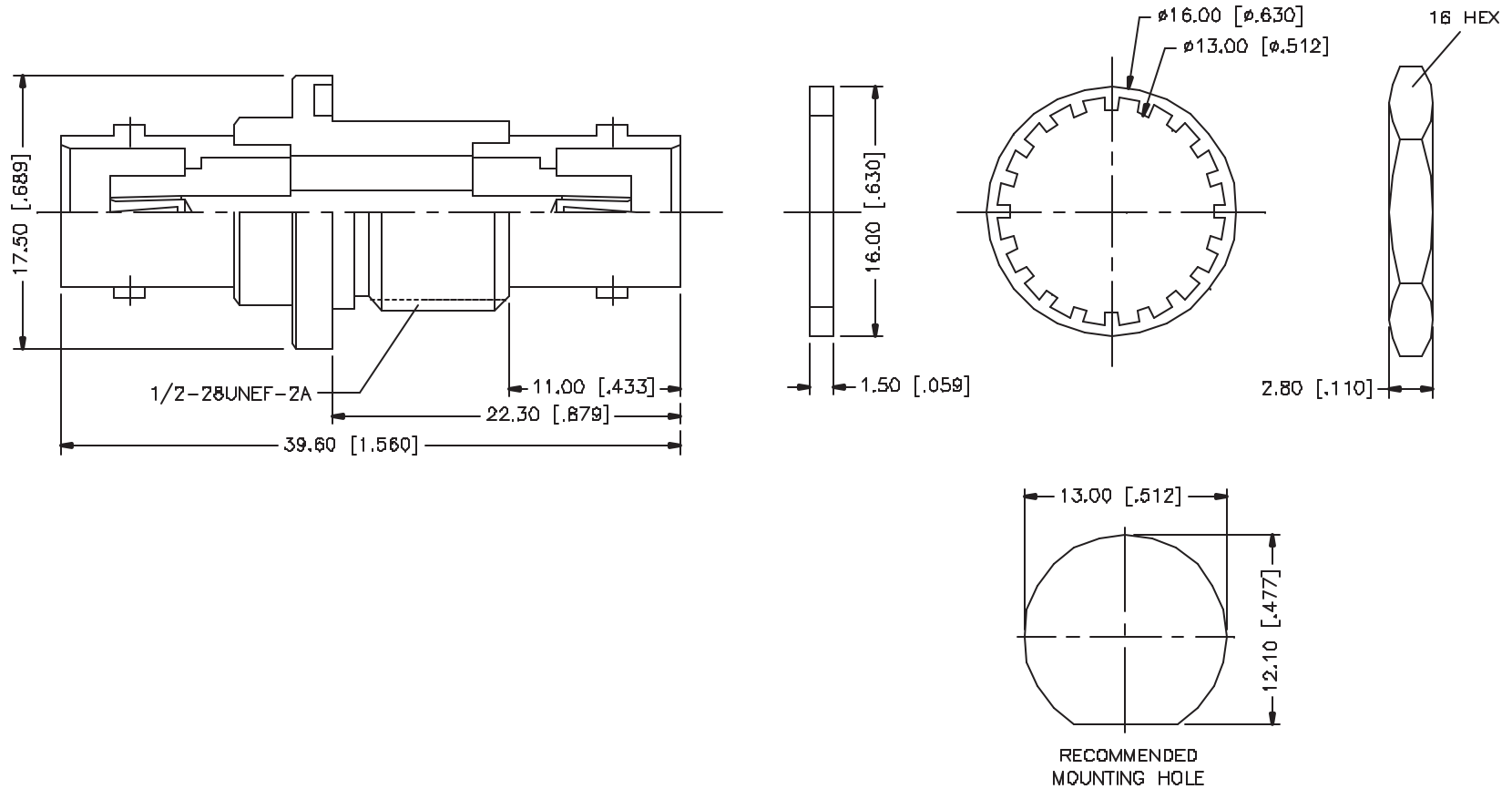


REV.	DATE	DESCRIPTION
NC	05/22/03	INITIAL RELEASE



REV.	DATE	DESCRIPTION
NC	05/22/03	INITIAL RELEASE

8																			
7																			
6	HEX NUT	BRASS	NICKEL	1	<small>UNLESS OTHERWISE SPECIFIED DIMENSIONS ARE IN MILLIMETERS. DIMENSIONS IN [ ] ARE IN INCHES AND FOR CUSTOMER REFERENCE ONLY.</small> <small>UNLESS OTHERWISE SPECIFIED TOLERANCES FOR MILLIMETERS ARE:</small> 0.5 - 8mm ± 0.20mm 8 - 30mm ± 0.40mm 30 - 120mm ± 0.50mm <small>UNLESS OTHERWISE SPECIFIED TOLERANCES FOR INCHES ARE:</small> .020 - .315 = ± 0.007" .315 - 1.180 = ± 0.015" 1.180 - 4.724 = ± 0.020"														
5	LOCK WASHER	BRASS	NICKEL	1															
4	GASKET	RUBBER	RED	1															
3	CONTACT PIN	PHOS. BRONZE	GOLD	1															
2	INSULATOR	DELRI	NATURAL	1															
1	HOUSING/BODY	BRASS	NICKEL	1															
	DESCRIPTION	MATERIAL	FINISH	QTY	DO NOT SCALE DRAWING														

APPROVALS	DATE	DESCRIPTION
DRAWN G.R.S.	05/22/03	
CHECKED		
ISSUED		
SHEET 1 OF 1		
CAD FILE C:/112/112433.DWG		

<b>Amphenol Connex</b>		PART DESCRIPTION
		<b>BNC FEMALE TO FEMALE BULKHEAD ADAPTER</b>
		PART NO.
		<b>112433</b>
DWG. NO.	112433.DWG	REV. NC
SIZE	A	SCALE NA