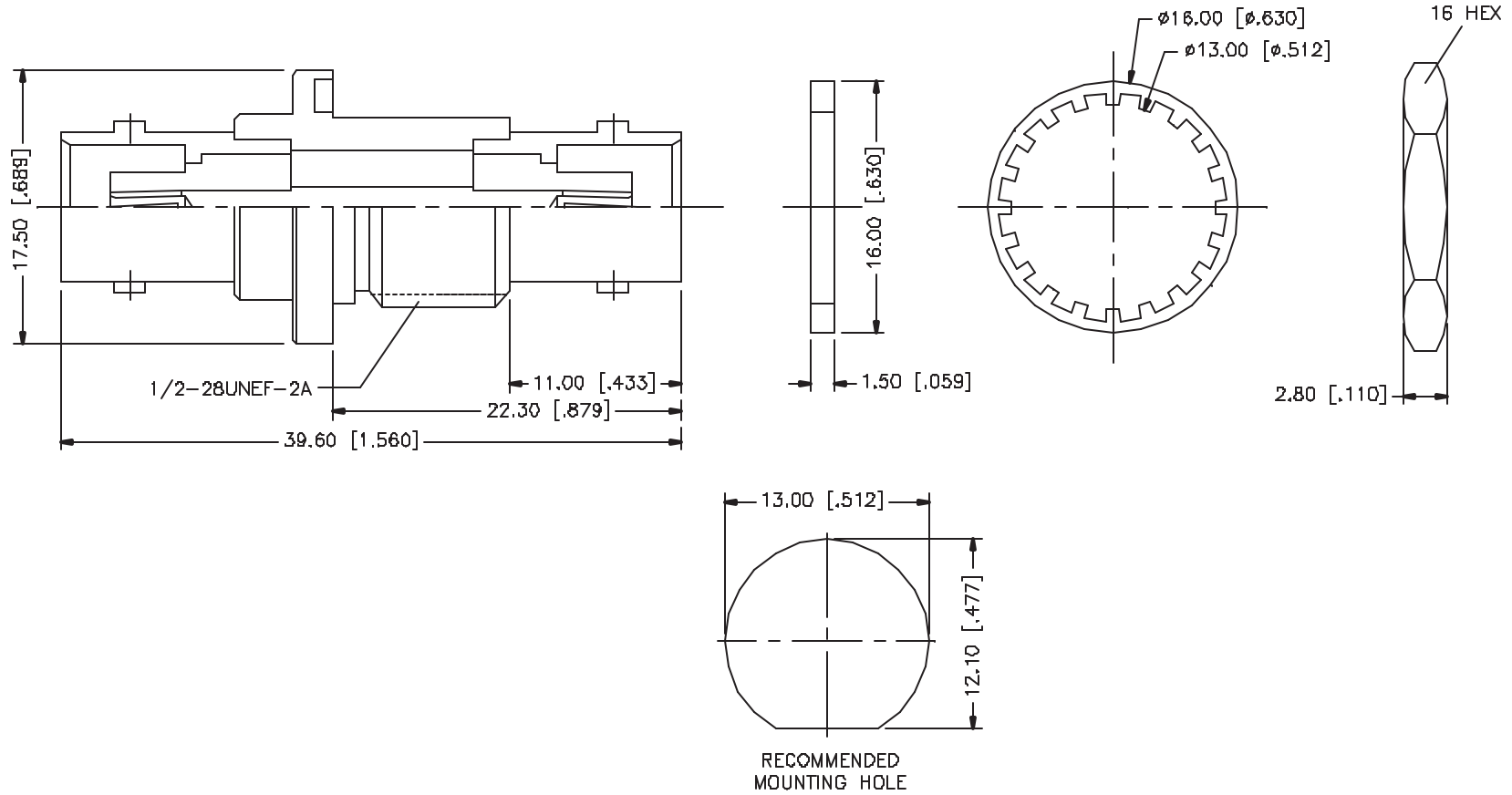


REV.	DATE	DESCRIPTION
NC	05/01/04	INITIAL RELEASE



NOTE:
1. MAX. PANEL THICKNESS = 7mm

				UNLESS OTHERWISE SPECIFIED DIMENSIONS ARE IN MILLIMETERS; DIMENSIONS IN [] ARE IN INCHES AND FOR CUSTOMER REFERENCE ONLY.		APPROVALS		DATE		Amphenol Connex	
				UNLESS OTHERWISE SPECIFIED TOLERANCES FOR MILLIMETERS ARE: 0.5 - 8mm ± 0.20mm 8 - 30mm ± 0.40mm 30 - 120mm ± 0.50mm		DRAWN G.R.S.		05/01/04			
				UNLESS OTHERWISE SPECIFIED TOLERANCES FOR INCHES ARE: .020 - .315 = ± 0.007" .315 - 1.180 = ± 0.015" 1.180 - 4.724 = ± 0.020"		CHECKED				BNC FEMALE TO FEMALE BULKHEAD ADAPTER	
				DO NOT SCALE DRAWING		ISSUED				PART NO.	
						SHEET 1 OF 1				112434	
						CAD FILE		C:/112/112434.DWG		DWS. NO. 112434.DWG	
										REV. NC	
										SIZE A	
										SCALE NA	
8											
7											
6	HEX NUT	BRASS	NICKEL	1							
5	LOCK WASHER	BRASS	NICKEL	1							
4	GASKET	RUBBER	RED	1							
3	CONTACT PIN	PHOS. BRONZE	GOLD	1							
2	INSULATOR	DELRI	NATURAL	1							
1	HOUSING/BODY	BRASS	NICKEL	1							
	DESCRIPTION	MATERIAL	FINISH	QTY							