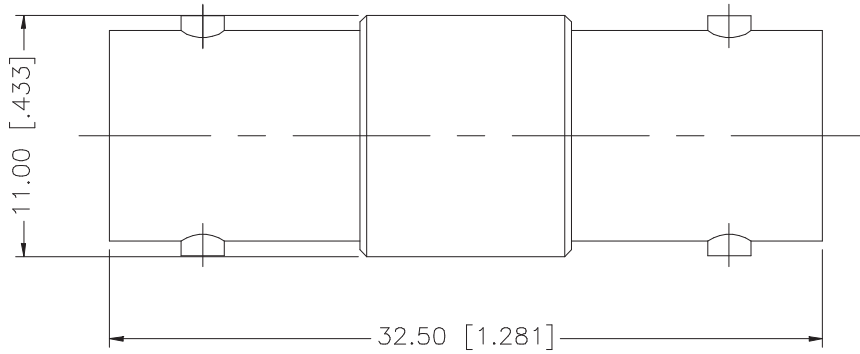


REV.	DATE	DESCRIPTION
NC	05/01/04	INITIAL RELEASE
A	06/09/06	REMOVE "BULKHEAD" FROM PART DESCRIPTION



UNLESS OTHERWISE SPECIFIED DIMENSIONS ARE IN MILLIMETERS. DIMENSIONS IN [ ] ARE IN INCHES AND FOR CUSTOMER REFERENCE ONLY.

UNLESS OTHERWISE SPECIFIED TOLERANCES FOR MILLIMETERS ARE:  
0.5 - 8mm ± 0.20mm  
8 - 30mm ± 0.40mm  
30 - 120mm ± 0.50mm

UNLESS OTHERWISE SPECIFIED TOLERANCES FOR INCHES ARE:  
.020 - .315 = ± 0.007"  
.315 - 1.180 = ± 0.015"  
1.180 - 4.724 = ± 0.020"

DO NOT SCALE DRAWING

APPROVALS		DATE
DRAWN	G.R.S.	06/09/06
CHECKED		
ISSUED		
SHEET	1 OF 1	
CAD FILE	C:/112/112445.DWG	

# Amphenol Connex

PART DESCRIPTION				
BNC FEMALE TO FEMALE ADAPTER				
PART NO.				
112445				
DWG. NO.	112445.DWG	REV.	A	SCALE
			A	NA

DESCRIPTION	MATERIAL	FINISH	QTY
CONTACT PIN	PHOS. BRONZE	GOLD	1
INSULATOR	DELRIN	NATURAL	1
BODY	BRASS	NICKEL	1