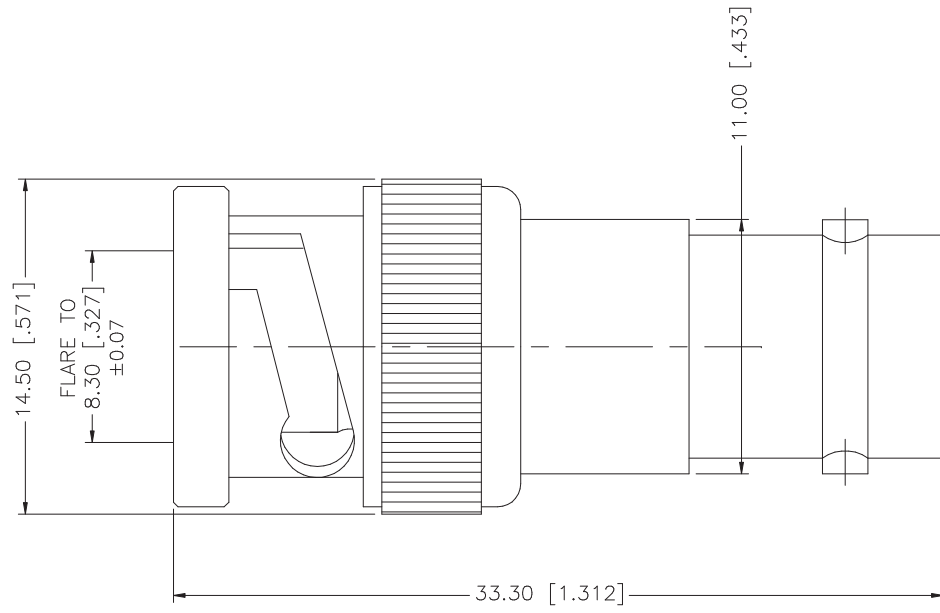


REV.	DATE	DESCRIPTION
NC	08/07/01	INITIAL RELEASE
A	09/20/05	UPDATE DRAWING FORMAT



8					<small>UNLESS OTHERWISE SPECIFIED DIMENSIONS ARE IN MILLIMETERS. DIMENSIONS IN [] ARE IN INCHES AND FOR CUSTOMER REFERENCE ONLY.</small> <small>UNLESS OTHERWISE SPECIFIED TOLERANCES FOR MILLIMETERS ARE:</small> 0.5 - 8mm \pm 0.20mm 8 - 30mm \pm 0.40mm 30 - 120mm \pm 0.50mm <small>UNLESS OTHERWISE SPECIFIED TOLERANCES FOR INCHES ARE:</small> .020 - .315 = \pm 0.007" .315 - 1.180 = \pm 0.015" 1.180 - 4.724 = \pm 0.020"	APPROVALS	DATE	<h1 style="color: blue;">Amphenol Connex</h1>			
7				DRAWN		G.R.S.	09/20/05				
6				CHECKED				PART DESCRIPTION BNC PLUG TO JACK ADAPTER - 75ohm			
5				ISSUED							
4				SHEET	1 OF 1		PART NO. 112668				
3	CONTACT PIN	PHOS. BRONZE	GOLD	1							DWG. NO. 112668.DWG
2	INSULATOR	TEFLON	NATURAL	1			REV. A SIZE A SCALE NA				
1	BODY	BRASS	NICKEL	1							CAD FILE C:/112/112668.DWG
	DESCRIPTION	MATERIAL	FINISH	QTY	DO NOT SCALE DRAWING						