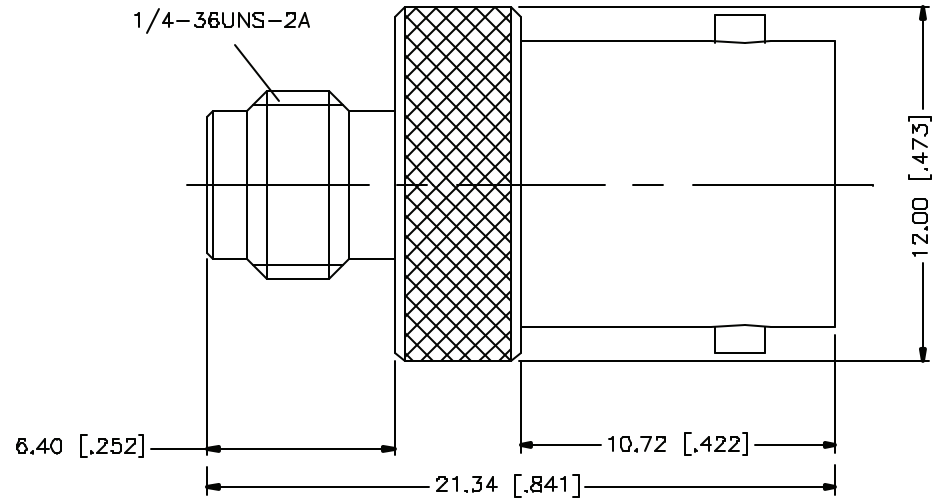


REV.	DATE	DESCRIPTION
A	03/27/05	UPDATE DRAWING FORMAT



8					<small>UNLESS OTHERWISE SPECIFIED DIMENSIONS ARE IN MILLIMETERS. DIMENSIONS IN [] ARE IN INCHES AND FOR CUSTOMER REFERENCE ONLY.</small> <small>UNLESS OTHERWISE SPECIFIED TOLERANCES FOR MILLIMETERS ARE:</small> 0.5 - 8mm ± 0.20mm 8 - 30mm ± 0.40mm 30 - 120mm ± 0.50mm <small>UNLESS OTHERWISE SPECIFIED TOLERANCES FOR INCHES ARE:</small> .020 - .315 = ± 0.007" .315 - 1.180 = ± 0.015" 1.180 - 4.724 = ± 0.020"	APPROVALS	DATE	<h1 style="color: blue; margin: 0;">Amphenol Connex</h1>		
7				DRAWN		G.R.S.	03/27/05			
6				CHECKED				<small>PART DESCRIPTION</small> <h2 style="text-align: center; margin: 0;">SMA FEMALE TO BNC FEMALE ADAPTER</h2>		
5				ISSUED						
4				SHEET		1 OF 1		<small>PART NO.</small> <h2 style="text-align: center; margin: 0;">242123</h2>		
3	CONTACT PIN	PHOS. BRONZE	GOLD	1	<small>DWG. NO.</small> 242123.DWG					
2	INSULATOR	TEFLON	NATURAL	1				<small>REV.</small> A <small>SIZE</small> A <small>SCALE</small> NA		
1	BODY	BRASS	NICKEL	1	<small>CAD FILE</small> C:/242/242123.DWG					
	DESCRIPTION	MATERIAL	FINISH	QTY				<small>DD NOT SCALE DRAWING</small>		