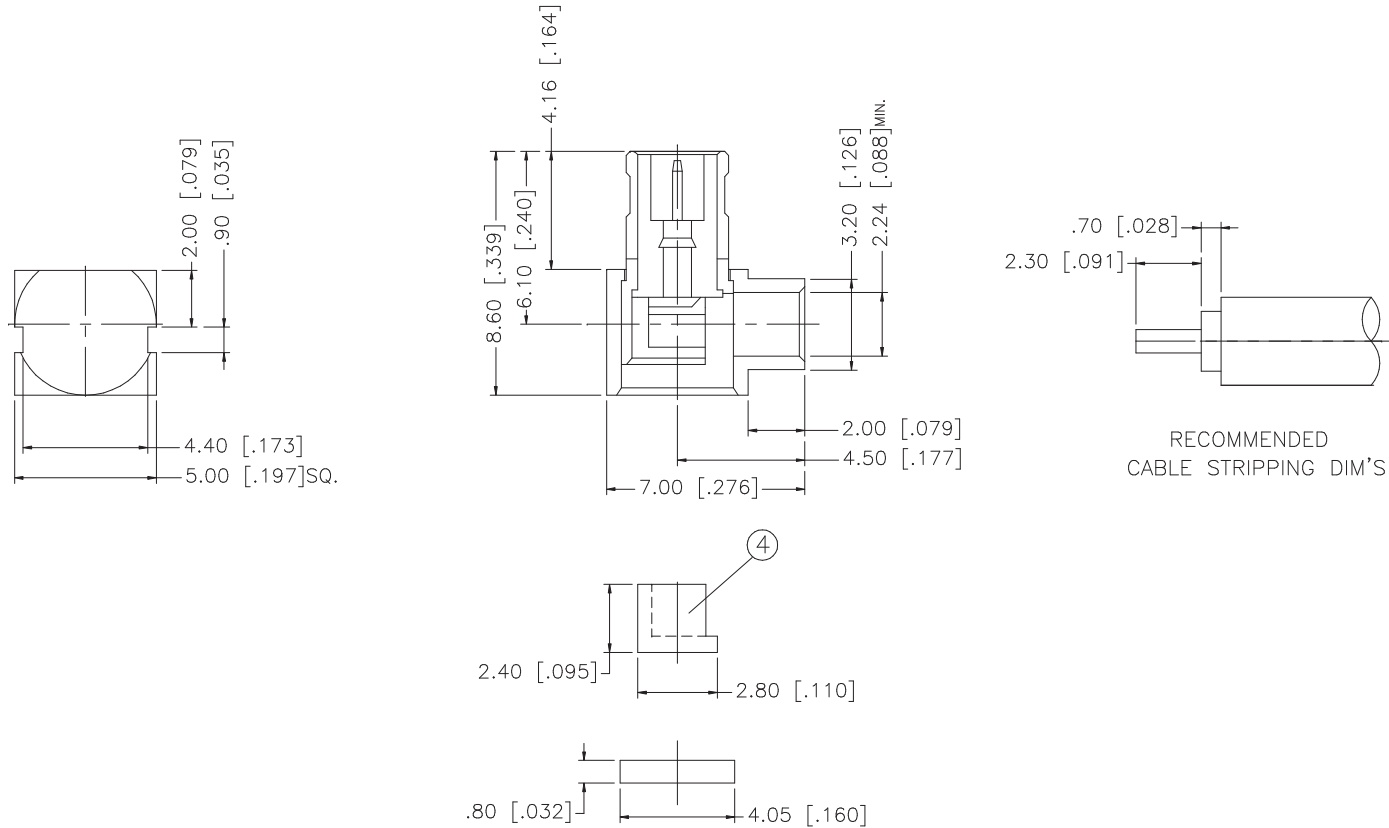


REV.	DATE	DESCRIPTION
A	02/08/03	UPDATE DRAWING FORMAT



NOTE:  
1. CONTACT PIN TO SOLDER

REV.	DESCRIPTION	MATERIAL	FINISH	QTY	UNLESS OTHERWISE SPECIFIED DIMENSIONS ARE IN MILLIMETERS. DIMENSIONS IN [ ] ARE IN INCHES AND FOR CUSTOMER REFERENCE ONLY.	APPROVALS	DATE	Amphenol Connex					
8								<b>MCX R/A SOLDER PLUG (FOR .085", .086" SEMI RIGID CABLE)</b>					
7							PART DESCRIPTION						
6											PART NO. 252109		
5	COVER	BRASS	GOLD	1							DWG. NO. 252109.DWG		
4	INSULATOR	DELTRIN	NATURAL	1				REV. A					
3	CONTACT PIN	BRASS	GOLD	1				SIZE A					
2	INSULATOR	TEFLON	NATURAL	1				SCALE NA					
1	HOUSING/BODY	BRASS	GOLD	1									
					UNLESS OTHERWISE SPECIFIED DIMENSIONS ARE IN MILLIMETERS. DIMENSIONS IN [ ] ARE IN INCHES AND FOR CUSTOMER REFERENCE ONLY.	DO NOT SCALE DRAWING							
					UNLESS OTHERWISE SPECIFIED TOLERANCES FOR MILLIMETERS ARE: 0.5 - 8mm ± 0.20mm 8 - 30mm ± 0.40mm 30 - 120mm ± 0.50mm								
					UNLESS OTHERWISE SPECIFIED TOLERANCES FOR INCHES ARE: .020 - .315 = ± 0.007" .315 - 1.180 = ± 0.015" 1.180 - 4.724 = ± 0.020"								
						CAD FILE C:/252/252109.DWG							