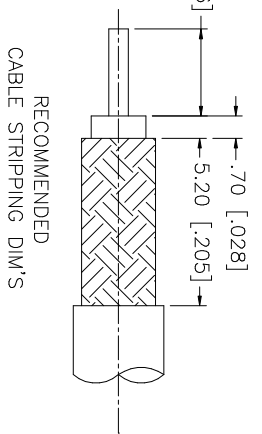
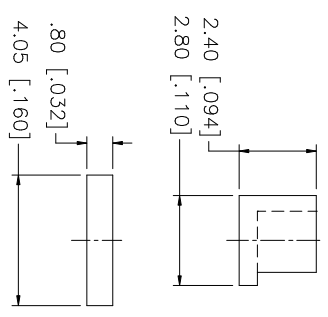
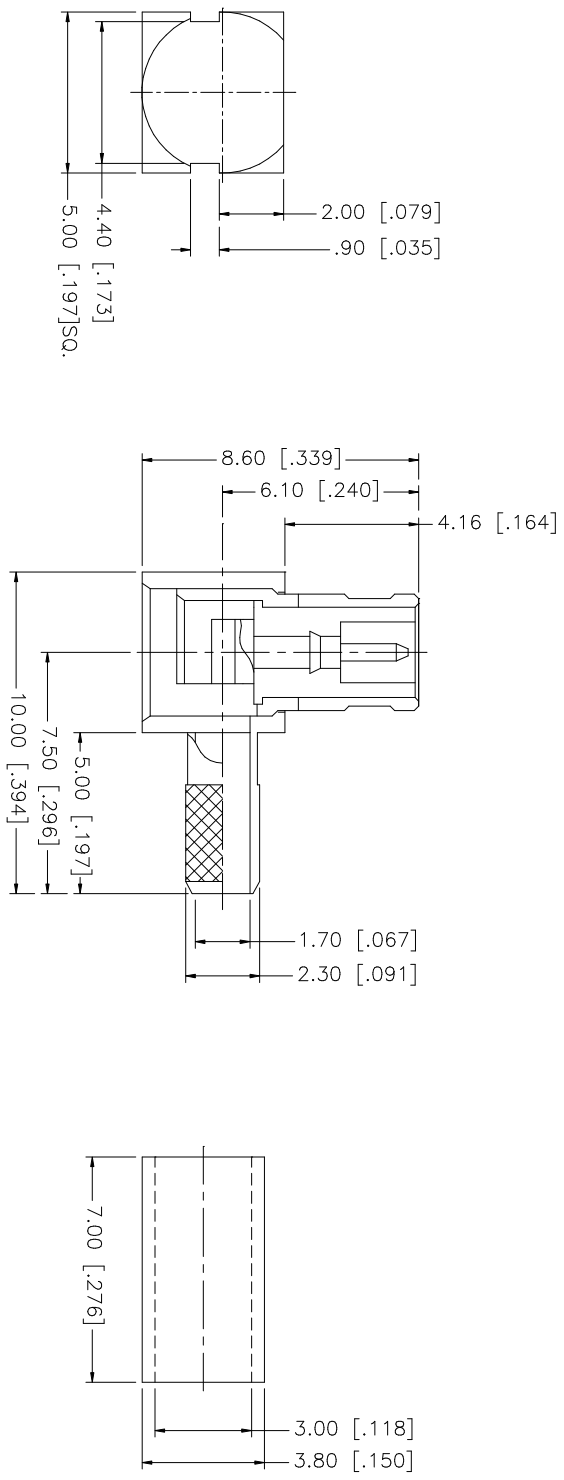


| REV. | DATE | DESCRIPTION |
|------|----------|-----------------------|
| A | 01/30/04 | UPDATE DRAWING FORMAT |



NOTE:
1. CRIMPED FERRULE
HEX CRIMP SIZE .128"
2. CONTACT PIN TO SOLDER

| | | UNLESS OTHERWISE SPECIFIED DIMENSIONS ARE IN MILLIMETERS, DIMENSIONS IN [] ARE IN INCHES AND FOR CUSTOMER REFERENCE ONLY. | |
|--|-------------|--|----------------------|
| 8 | | UNLESS OTHERWISE SPECIFIED DIMENSIONS ARE IN MILLIMETERS, DIMENSIONS IN [] ARE IN INCHES AND FOR CUSTOMER REFERENCE ONLY. | |
| 7 | | UNLESS OTHERWISE SPECIFIED DIMENSIONS ARE IN MILLIMETERS, DIMENSIONS IN [] ARE IN INCHES AND FOR CUSTOMER REFERENCE ONLY. | |
| 6 | FERRULE | COPPER | GOLD |
| 5 | COVER | BRASS | GOLD |
| 4 | INSULATOR | DELRIIN | NATURAL |
| 3 | CONTACT PIN | BRASS | GOLD |
| 2 | INSULATOR | TEFLON | NATURAL |
| 1 | BODY | BER. COPPER | GOLD |
| DESCRIPTION | | MATERIAL | FINISH |
| | | QTY | DO NOT SCALE DRAWING |
| APPROVALS | | DATE | |
| DRAWN G.R.S. | | 01/30/04 | |
| CHECKED | | | |
| ISSUED | | | |
| SHEET 1 OF 1 | | | |
| PART DESCRIPTION | | PART NO. | |
| MCX R/A CRIMP PLUG (FOR RG-179/U, 187A/U CABLE) | | 252102-75 | |
| CAD FILE | | DWG. NO. | REV. SIZE SCALE |
| C:/252/252102-75.DWG | | 252102-75 | A A NA |

