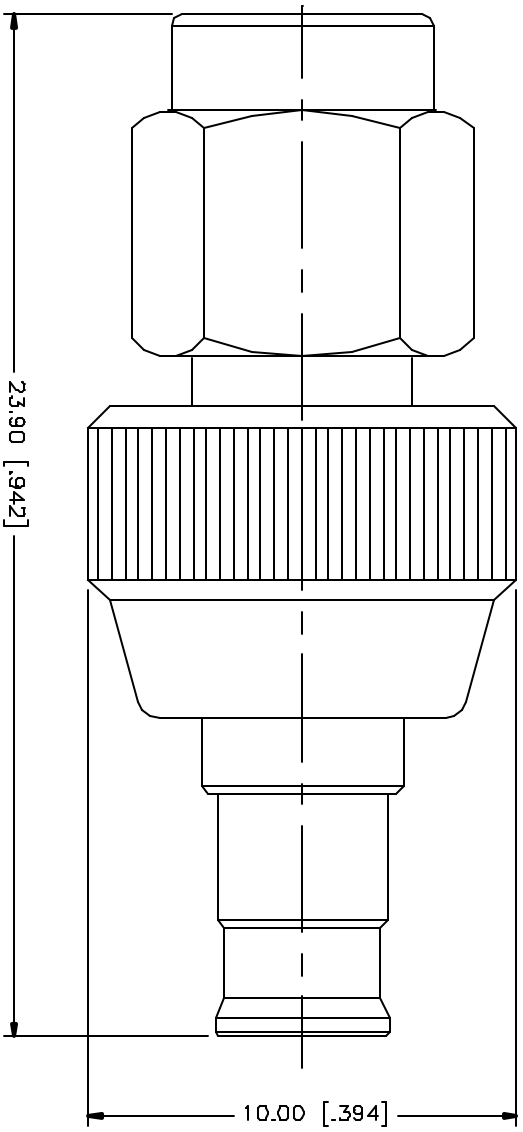


REV.	DATE	DESCRIPTION
A	03/27/05	UPDATE DRAWING FORMAT



NO.	DESCRIPTION	MATERIAL	FINISH	QTY	UNLESS OTHERWISE SPECIFIED DIMENSIONS ARE IN MILLIMETERS. DIMENSIONS IN [] ARE IN INCHES AND FOR OVERSIZE FITS ONLY. DIMENSIONS FOR MILLIMETERS ARE:	APPROVALS	DATE	PART DESCRIPTION			
1	CONTACT PIN	BER. COPPER	GOLD	1	UNLESS OTHERWISE SPECIFIED DIMENSIONS FOR MILLIMETERS ARE:	DRAWN	G.R.S.	03/27/05	<p style="text-align: center;">Amphenol Connex</p> <p style="text-align: center;">SMA MALE TO MGX MALE ADAPTER</p>		
2	INSULATOR	TER-LON	NATURAL	1	0.5 - Bore ± 0.20mm	CHECKED					
3	INSULATOR BODY	BRASS	GOLD	1	Ø - 30mm ± 0.40mm	ISSUED					
4					30 - 120mm ± 0.40mm	SHEET	1	DF 1			
5					UNLESS OTHERWISE SPECIFIED DIMENSIONS FOR INCHES ARE:	CAD FILE	C:/242/242128.DWG				
6					0.020 - .315 = ± 0.007" .315 - 1.180 = ± 0.015" 1.180 - 4.724 = ± 0.020"	DWG. NO.	242128.DWG				
DESCRIPTION					MATERIAL	FINISH	QTY	DWG. NO.	REV.	SIZE	SCALE
					BER. COPPER	GOLD	1	242128.DWG	A	A	NA