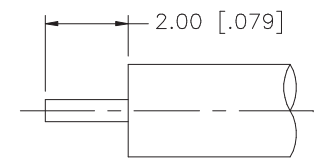
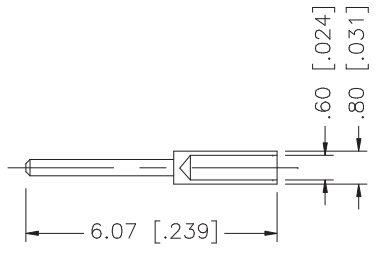
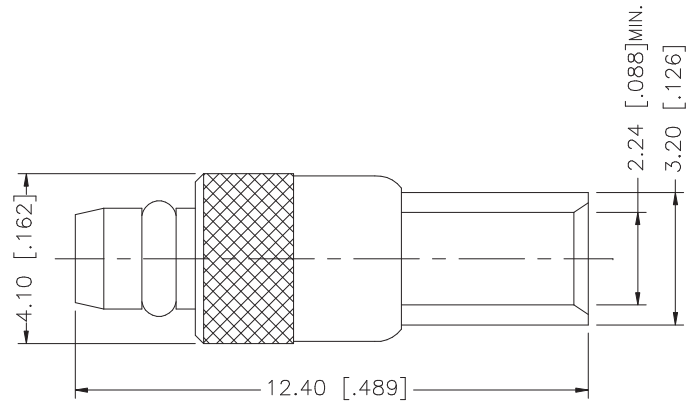


REV.	DATE	DESCRIPTION
A	12/09/03	UPDATE DRAWING FORMAT



RECOMMENDED CABLE STRIPPING DIM'S.

NOTES:
1. CONTACT PIN TO SOLDER

8					<small>UNLESS OTHERWISE SPECIFIED DIMENSIONS ARE IN MILLIMETERS. DIMENSIONS IN [] ARE IN INCHES AND FOR CUSTOMER REFERENCE ONLY.</small> <small>UNLESS OTHERWISE SPECIFIED TOLERANCES FOR MILLIMETERS ARE:</small> 0.5 - 8mm ± 0.20mm 8 - 30mm ± 0.40mm 30 - 120mm ± 0.50mm <small>UNLESS OTHERWISE SPECIFIED TOLERANCES FOR INCHES ARE:</small> .020 - .315 = ± 0.007" .315 - 1.180 = ± 0.015" 1.180 - 4.724 = ± 0.020"	APPROVALS	DATE	<h1 style="text-align: center;">Amphenol Connex</h1>			
7						DRAWN	G.R.S.				12/09/03
6						CHECKED			PART NO. 262112		
5						ISSUED					
4	RETAINER RING	BER. COPPER	GOLD	1		SHEET	1 OF 1		REV.	A	SCALE
3	CONTACT PIN	BRASS	GOLD	1	CAD FILE		C:/262/262112.DWG	SIZE	A		
2	INSULATOR	TEFLON	NATURAL	1	DO NOT SCALE DRAWING						
1	BODY	BRASS	GOLD	1							