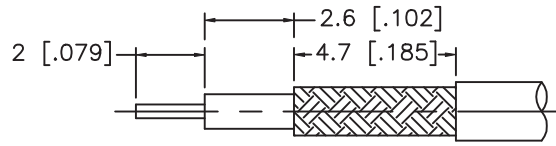
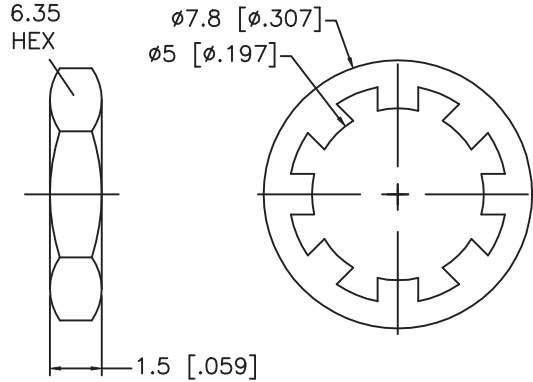


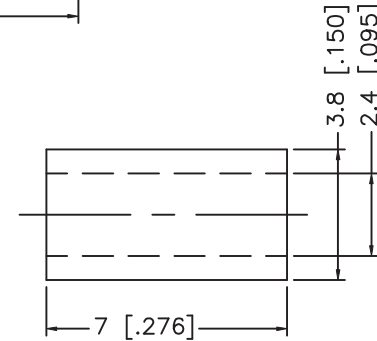
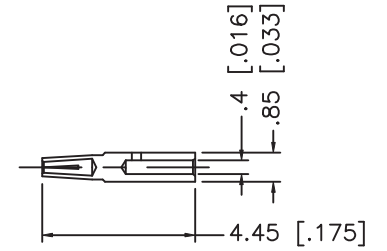
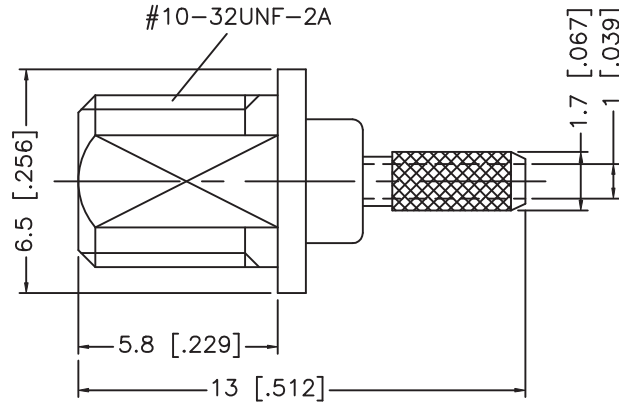
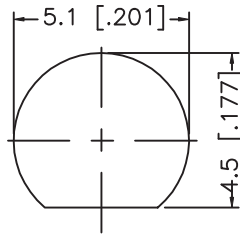
REV.	DATE	DESCRIPTION
A	01/12/02	MODIFY FERRULE LENGTH



RECOMMENDED CABLE STRIPPING DIM'S.



RECOMMENDED MOUNTING HOLE



DESCRIPTION	MATERIAL	FINISH	UNLESS OTHERWISE SPECIFIED DIMENSIONS ARE IN MILLIMETERS	APPROVALS	DATE	Amphenol-Connex CONNECTOR CORPORATION			
1 BODY	BRASS	GOLD	DIMENSIONS IN [ ] ARE IN INCHES FOR CUSTOMER REFERENCE ONLY	DRAWN G.R.S.	01/12/02	TITLE MMCX BULKHEAD CRIMP JACK (FOR RG-178B/u, 196A/u CABLE)			
2 INSULATOR	TEFLON	NATURAL		CHECKED					
3 BARREL	BRASS	GOLD		ISSUED					
4 CONTACT PIN	BER. COPPER	GOLD	UNLESS OTHERWISE SPECIFIED TOLERANCES FOR INCHES ARE: .XXX = ± 0.005" .XX = ± 0.010" .X = ± 0.020"			SIZE A	FSCM NO. 99001	DWG. NO. 262120.DWG	REV. A
5 FERRULE	COPPER	GOLD				SCALE NA	PART NO. 262120	SHEET 1 OF 1	
6									
7									
8				DO NOT SCALE DRAWING					