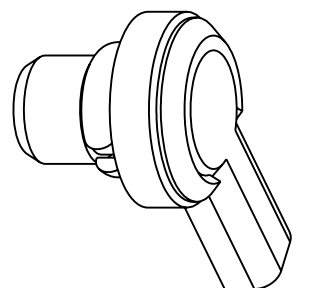


NOTES:

1. PLATING PER AMPHENOL SPEC. 349-50560.  
BODY - BRASS, GOLD PLATED  
CONTACT - BRASS, GOLD PLATED  
INSULATOR - PTFE
2. CAP TO BE SUPPLIED LOOSE. CAP TO BE PRESSED INTO BODY UNTILL BOTTOMED AT CABLE ASSEMBLY.
3. PACKAGE CONNECTOR IN ANTI-STATIC BAG 999-226, MARK BAG: "908-43715" AND DATE CODE.
4. USE ASSEMBLY INSTRUCTIONS 349-50702.

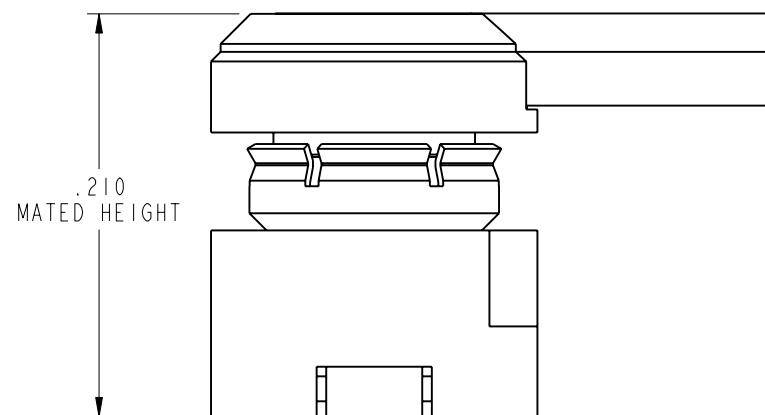


SCALE 6.000

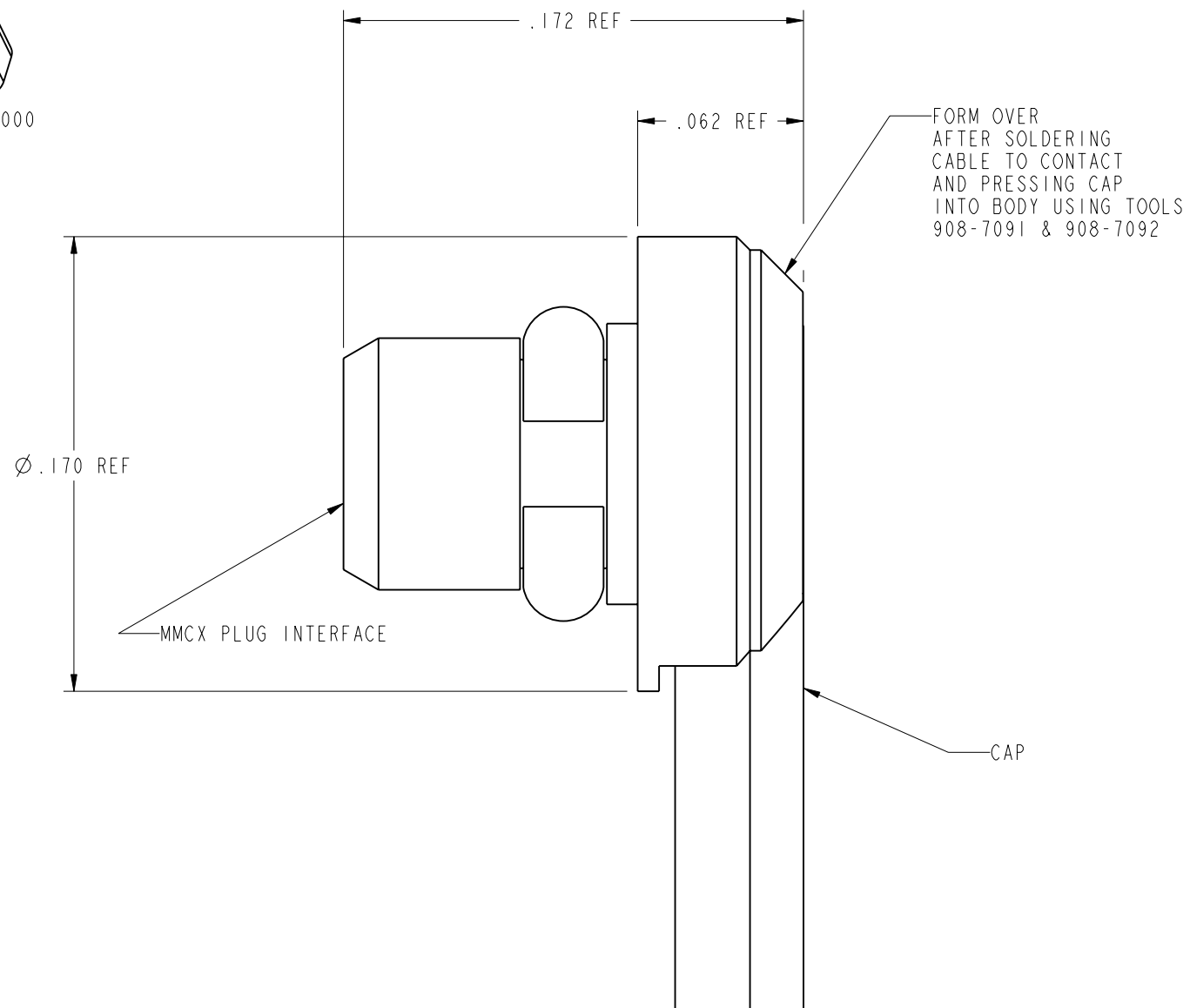
908-43715

REVISIONS

DRAWING NO.	REV	DESCRIPTION	DATE	ECO	APPR
THIRD ANGLE PROJ.	A	RELEASE FOR PROTOTYPE	3/1/04	44823	GSA
	B	SEE SHEET 1	3/16/04	44853	CPM
	C	SEE SHEET 1	3/11/05	45448	GSA
	D	SEE SHEET 1	7/16/07	46594	TC



MATED WITH 908-22101  
PC BOARD SURFACE MOUNT  
SCALE 10.000



**CUSTOMER OUTLINE DRAWING**

ALL OTHER SHEETS ARE FOR INTERNAL USE ONLY

UNLESS OTHERWISE SPECIFIED, DIMENSIONS ARE IN INCHES AND TOLERANCES ARE:  
2 PLACE DECIMAL      3 PLACE DECIMAL      ANGLES  
±.015 (0,381 mm)      ±.005 (0,127 mm)      ± 1°

NOTICE - These drawings, specifications, or other data (1) are, and remain the property of Amphenol Corp. (2) must be returned upon request; and (3) are confidential and not to be disclosed to any person other than those to whom they are given by Amphenol Corp. The furnishing of these drawings, specifications, or other data by Amphenol Corp., or to any other person to anyone for any purpose is not to be regarded by implication or otherwise in any manner licensing, granting rights or permitting such holder or any other person to manufacture, use or sell any product, process or design, patented or otherwise, that may in any way be related to or disclosed by said drawings, specifications, or other data.

MATERIAL

DRAWN  
G. ANTONINI      DATE  
11-May-00

ENGINEER  
G. ANTONINI      DATE  
11-May-00

APPROVED  
O. BARTHELMES      DATE  
2/25/04

CAD FILE  
I:\MMCX\908-43715

TITLE  
MMCX LOW PROFILE  
ANGLE PLUG FOR  
.047 SEMI RIGID CABLE

**Amphenol RF**  
Danbury, CT, USA  
Tainan, Taiwan  
Shenzhen, China  
[www.amphenolrf.com](http://www.amphenolrf.com)

SCALE: 16.0:1    SHEET    2 OF 2

CODE ID 74868	DWG SIZE B	DRAWING NO. 908-43715	REV D
------------------	---------------	--------------------------	----------