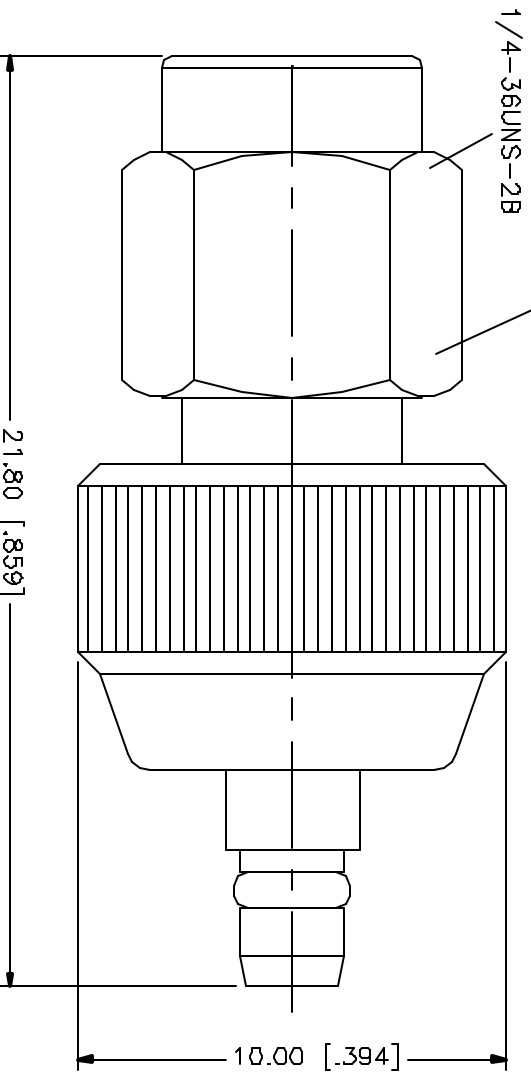


REV.	DATE	DESCRIPTION
A	03/27/05	UPDATE DRAWING FORMAT

STAKE IN 4 PLACES
EQUALLY SPACED 90° APART
(INTERNAL)



QTY	FINISH	MATERIAL	DESCRIPTION
1	GOLD	BER. COPPER	RETAINER RING
1	GOLD	BRASS	CONTACT PIN
1	NATURAL	TEFLON	INSULATOR
1	GOLD	BRASS	BODY

UNLESS OTHERWISE SPECIFIED DIMENSIONS ARE IN MILLIMETERS. DIMENSIONS IN [] ARE IN INCHES AND FOR CUSTOMER REFERENCE ONLY.	UNLESS OTHERWISE SPECIFIED TOLERANCES FOR MILLIMETER ARE:
	D.5 - .8mm ± 0.20mm
	B - .20mm ± 0.40mm
	3Ø - 1.20mm ± 0.50mm
UNLESS OTHERWISE SPECIFIED TOLERANCES FOR INCHES ARE:	
	.020 - .315 ± .0015"
	.315 - 1.180 ± .0016"
	1.180 - 4.724 ± .0020"

APPROVALS	DATE
DRAWN G.R.S.	03/27/05
CHECKED	
ASSEMBLED	
SHEET 1 OF 1	

CAD FILE	DWG. NO.	REV.	SIZE	SCALE
G:/242/242142.DWG	242142.DWG	A	A	NA

Amphenol Connex PART DESCRIPTION SMA PLUG TO MMX PLUG ADAPTER PART NO. 242142	
--	--