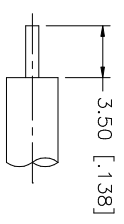
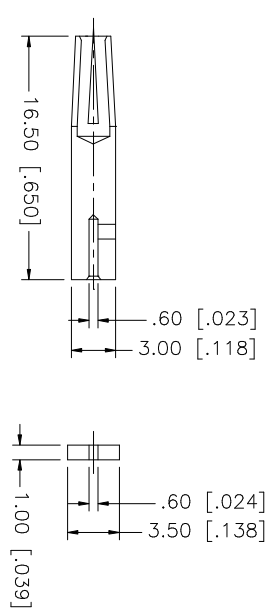
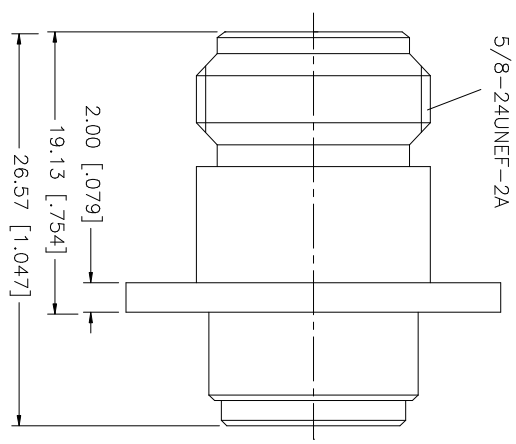
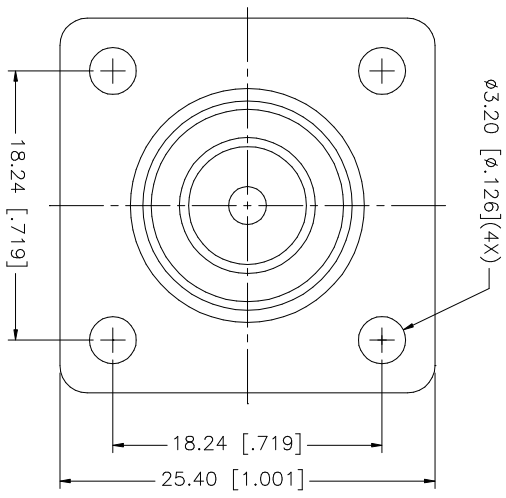
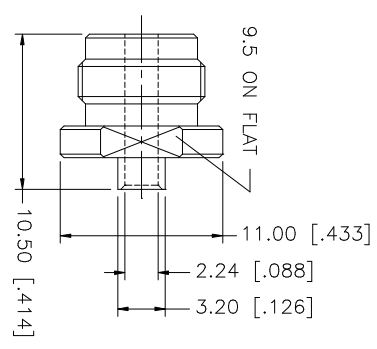


REV.	DATE	DESCRIPTION
A	03/21/04	UPDATE DRAWING FORMAT



RECOMMENDED CABLE STRIPPING DIM'S



NOTE:
1. CONTACT PIN TO SOLDER

Amphenol Connex

N PANEL DIRECT SOLDER JACK
(FOR .085", .086")

QTY	FINISH	MATERIAL	DESCRIPTION
1	NEXCOTE	BRASS	BODY
1	NATURAL	TEFLON	INSULATOR
1	GOLD	PHOS. BRONZE	CONTACT PIN
1	GOLD	BRASS	SOLDER NUT

APPROVALS	DATE
DRAWN G.R.S.	03/21/04
CHECKED	
ISSUED	
SHEET 1 OF 1	

DO NOT SCALE DRAWING	CAD FILE	DWG. NO.	REV.	SIZE	SCALE
UNLESS OTHERWISE SPECIFIED DIMENSIONS ARE IN MILLIMETERS. DIMENSIONS IN () ARE IN INCHES AND FOR CUSTOMER REFERENCE ONLY. TOLERANCES FOR MILLIMETERS ARE: 0.5 - 8mm ± 0.20mm 8 - 30mm ± 0.40mm 30 - 120mm ± 0.50mm UNLESS OTHERWISE SPECIFIED TOLERANCES FOR INCHES ARE: .020 - .315 = ± 0.007" .315 - 1.180 = ± 0.015" 1.180 - 4.724 = ± 0.020"	C:/172/172169.DWG	172169.DWG	A	A	NA