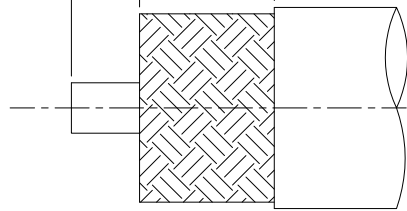
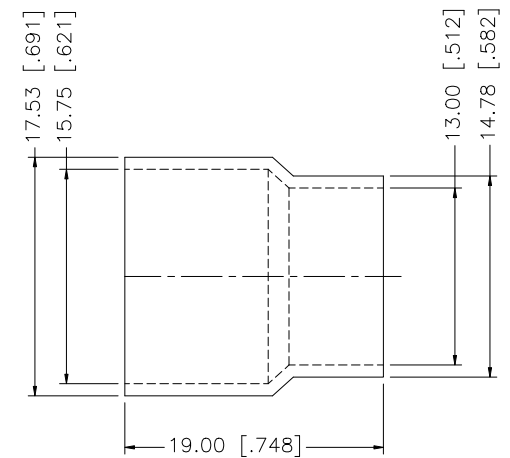
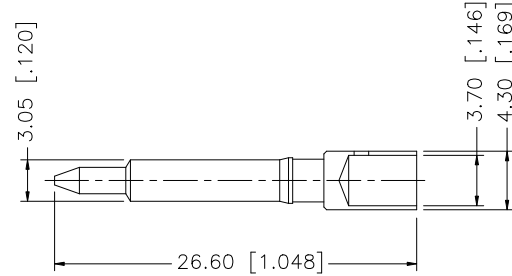
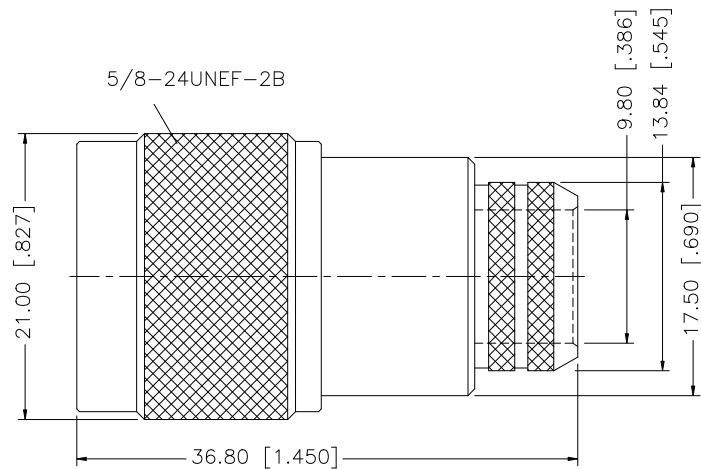


REV.	DATE	DESCRIPTION
NC	11/24/99	INITIAL RELEASE
A	10/27/07	UPDATE DRAWING FORMAT, ADD NOTES

5.00 [.197] 9.90 [.390]



RECOMMENDED  
CABLE STRIPPING DIM'S



NOTE:

- PLEASE CONTACT AMPHENOL CONNEX FOR CRIMP TOOL INFORMATION.

				UNLESS OTHERWISE SPECIFIED DIMENSIONS ARE IN MILLIMETERS. DIMENSIONS IN [ ] ARE IN INCHES AND FOR CUSTOMER REFERENCE ONLY.	APPROVALS	DATE	<b>Amphenol Connex</b>					
8					DRAWN	G.R.S.				10/27/07	PART DESCRIPTION <b>N CRIMP PLUG (FOR FLEXIBLE LMR 500 CABLE)</b>	
7					CHECKED			PART NO. <b>172259</b>				
6					ISSUED						DWG. NO. 172259.DWG	
5					SHEET	1 OF 1		REV. A	SIZE A	SCALE NA		
4	FERRULE	COPPER	NEXCOTE	1	UNLESS OTHERWISE SPECIFIED TOLERANCES FOR MILLIMETERS ARE: 0.5 - 8mm ± 0.20mm 8 - 30mm ± 0.40mm 30 - 120mm ± 0.50mm  UNLESS OTHERWISE SPECIFIED TOLERANCES FOR INCHES ARE: .020 - .315 = ± 0.007" .315 - 1.180 = ± 0.015" 1.180 - 4.724 = ± 0.020"							
3	CONTACT PIN	PHOS. BRONZE	GOLD	1								
2	INSULATOR	TEFLON	NATURAL	1								
1	BODY	BRASS	NEXCOTE	1								
DESCRIPTION				MATERIAL	FINISH	QTY	DO NOT SCALE DRAWING			CAD FILE C:/172/172259.DWG		