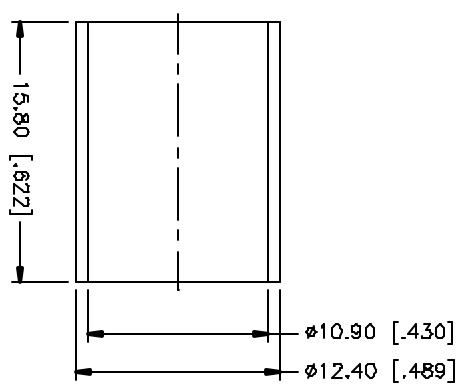
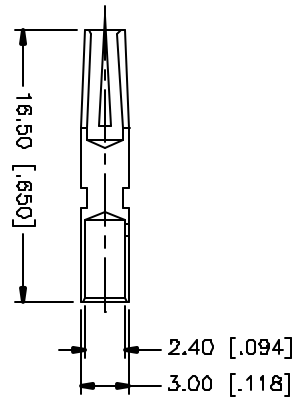
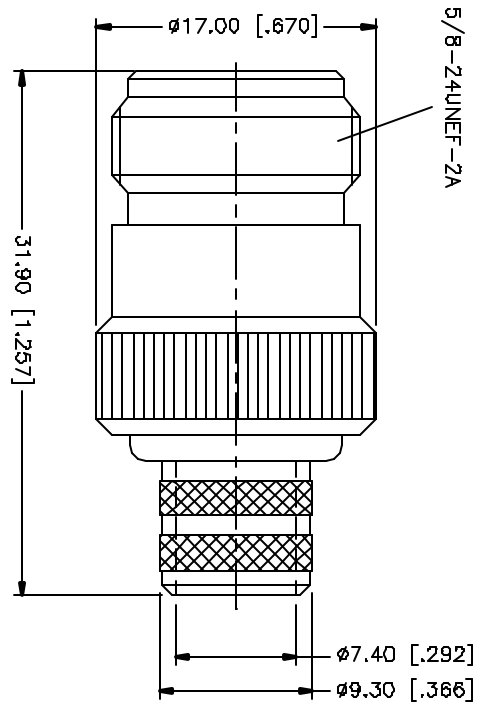
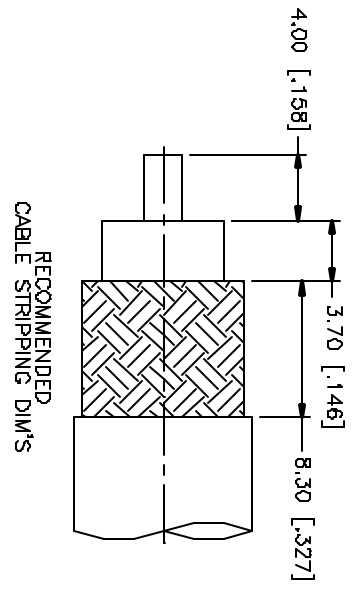


REV.	DATE	DESCRIPTION
A	09/07/04	UPDATE DRAWING FORMAT / MODIFY CONTACT PIN



- NOTE:
1. CRIMPED FERRULE  
HEX CRIMP SIZE .429"
  2. CRIMPED CONTACT PIN  
HEX CRIMP SIZE .100"

NO.	DESCRIPTION	MATERIAL	FINISH	QTY	UNLESS OTHERWISE SPECIFIED DIMENSIONS ARE IN INCHES AND DECIMALS THEREOF UNLESS OTHERWISE SPECIFIED.	APPROVALS	DATE	PART DESCRIPTION	DWG. NO.	REV.	SIZE	SCALE
8					UNLESS OTHERWISE SPECIFIED DIMENSIONS ARE IN INCHES AND DECIMALS THEREOF UNLESS OTHERWISE SPECIFIED. DIMENSIONS FOR MILLING ARE: A - .0005" ± 0.0005" B - .0010" ± 0.0010" C - .0015" ± 0.0015" D - .0020" ± 0.0020" E - .0025" ± 0.0025" F - .0030" ± 0.0030" G - .0035" ± 0.0035" H - .0040" ± 0.0040" I - .0045" ± 0.0045" J - .0050" ± 0.0050" K - .0055" ± 0.0055" L - .0060" ± 0.0060" M - .0065" ± 0.0065" N - .0070" ± 0.0070" O - .0075" ± 0.0075" P - .0080" ± 0.0080" Q - .0085" ± 0.0085" R - .0090" ± 0.0090" S - .0095" ± 0.0095" T - .0100" ± 0.0100" U - .0105" ± 0.0105" V - .0110" ± 0.0110" W - .0115" ± 0.0115" X - .0120" ± 0.0120" Y - .0125" ± 0.0125" Z - .0130" ± 0.0130" AA - .0135" ± 0.0135" AB - .0140" ± 0.0140" AC - .0145" ± 0.0145" AD - .0150" ± 0.0150" AE - .0155" ± 0.0155" AF - .0160" ± 0.0160" AG - .0165" ± 0.0165" AH - .0170" ± 0.0170" AI - .0175" ± 0.0175" AJ - .0180" ± 0.0180" AK - .0185" ± 0.0185" AL - .0190" ± 0.0190" AM - .0195" ± 0.0195" AN - .0200" ± 0.0200" AO - .0205" ± 0.0205" AP - .0210" ± 0.0210" AQ - .0215" ± 0.0215" AR - .0220" ± 0.0220" AS - .0225" ± 0.0225" AT - .0230" ± 0.0230" AU - .0235" ± 0.0235" AV - .0240" ± 0.0240" AW - .0245" ± 0.0245" AX - .0250" ± 0.0250" AY - .0255" ± 0.0255" AZ - .0260" ± 0.0260" BA - .0265" ± 0.0265" BB - .0270" ± 0.0270" BC - .0275" ± 0.0275" BD - .0280" ± 0.0280" BE - .0285" ± 0.0285" BF - .0290" ± 0.0290" BG - .0295" ± 0.0295" BH - .0300" ± 0.0300" BI - .0305" ± 0.0305" BJ - .0310" ± 0.0310" BK - .0315" ± 0.0315" BL - .0320" ± 0.0320" BM - .0325" ± 0.0325" BN - .0330" ± 0.0330" BO - .0335" ± 0.0335" BP - .0340" ± 0.0340" BQ - .0345" ± 0.0345" BR - .0350" ± 0.0350" BS - .0355" ± 0.0355" BT - .0360" ± 0.0360" BU - .0365" ± 0.0365" BV - .0370" ± 0.0370" BW - .0375" ± 0.0375" BX - .0380" ± 0.0380" BY - .0385" ± 0.0385" BZ - .0390" ± 0.0390" CA - .0395" ± 0.0395" CB - .0400" ± 0.0400" CC - .0405" ± 0.0405" CD - .0410" ± 0.0410" CE - .0415" ± 0.0415" CF - .0420" ± 0.0420" CG - .0425" ± 0.0425" CH - .0430" ± 0.0430" CI - .0435" ± 0.0435" CJ - .0440" ± 0.0440" CK - .0445" ± 0.0445" CL - .0450" ± 0.0450" CM - .0455" ± 0.0455" CN - .0460" ± 0.0460" CO - .0465" ± 0.0465" CP - .0470" ± 0.0470" CQ - .0475" ± 0.0475" CR - .0480" ± 0.0480" CS - .0485" ± 0.0485" CT - .0490" ± 0.0490" CU - .0495" ± 0.0495" CV - .0500" ± 0.0500" CW - .0505" ± 0.0505" CX - .0510" ± 0.0510" CY - .0515" ± 0.0515" CZ - .0520" ± 0.0520" DA - .0525" ± 0.0525" DB - .0530" ± 0.0530" DC - .0535" ± 0.0535" DD - .0540" ± 0.0540" DE - .0545" ± 0.0545" DF - .0550" ± 0.0550" DG - .0555" ± 0.0555" DH - .0560" ± 0.0560" DI - .0565" ± 0.0565" DJ - .0570" ± 0.0570" DK - .0575" ± 0.0575" DL - .0580" ± 0.0580" DM - .0585" ± 0.0585" DN - .0590" ± 0.0590" DO - .0595" ± 0.0595" DP - .0600" ± 0.0600" DQ - .0605" ± 0.0605" DR - .0610" ± 0.0610" DS - .0615" ± 0.0615" DT - .0620" ± 0.0620" DU - .0625" ± 0.0625" DV - .0630" ± 0.0630" DW - .0635" ± 0.0635" DX - .0640" ± 0.0640" DY - .0645" ± 0.0645" DZ - .0650" ± 0.0650" EA - .0655" ± 0.0655" EB - .0660" ± 0.0660" EC - .0665" ± 0.0665" ED - .0670" ± 0.0670" EE - .0675" ± 0.0675" EF - .0680" ± 0.0680" EG - .0685" ± 0.0685" EH - .0690" ± 0.0690" EI - .0695" ± 0.0695" EJ - .0700" ± 0.0700" EK - .0705" ± 0.0705" EL - .0710" ± 0.0710" EM - .0715" ± 0.0715" EN - .0720" ± 0.0720" EO - .0725" ± 0.0725" EP - .0730" ± 0.0730" EQ - .0735" ± 0.0735" ER - .0740" ± 0.0740" ES - .0745" ± 0.0745" ET - .0750" ± 0.0750" EU - .0755" ± 0.0755" EV - .0760" ± 0.0760" EW - .0765" ± 0.0765" EX - .0770" ± 0.0770" EY - .0775" ± 0.0775" EZ - .0780" ± 0.0780" FA - .0785" ± 0.0785" FB - .0790" ± 0.0790" FC - .0795" ± 0.0795" FD - .0800" ± 0.0800" FE - .0805" ± 0.0805" FF - .0810" ± 0.0810" FG - .0815" ± 0.0815" FH - .0820" ± 0.0820" FI - .0825" ± 0.0825" FJ - .0830" ± 0.0830" FK - .0835" ± 0.0835" FL - .0840" ± 0.0840" FM - .0845" ± 0.0845" FN - .0850" ± 0.0850" FO - .0855" ± 0.0855" FP - .0860" ± 0.0860" FQ - .0865" ± 0.0865" FR - .0870" ± 0.0870" FS - .0875" ± 0.0875" FT - .0880" ± 0.0880" FU - .0885" ± 0.0885" FV - .0890" ± 0.0890" FW - .0895" ± 0.0895" FX - .0900" ± 0.0900" FY - .0905" ± 0.0905" FZ - .0910" ± 0.0910" GA - .0915" ± 0.0915" GB - .0920" ± 0.0920" GC - .0925" ± 0.0925" GD - .0930" ± 0.0930" GE - .0935" ± 0.0935" GF - .0940" ± 0.0940" GG - .0945" ± 0.0945" GH - .0950" ± 0.0950" GI - .0955" ± 0.0955" GJ - .0960" ± 0.0960" GK - .0965" ± 0.0965" GL - .0970" ± 0.0970" GM - .0975" ± 0.0975" GN - .0980" ± 0.0980" GO - .0985" ± 0.0985" GP - .0990" ± 0.0990" GQ - .0995" ± 0.0995" GR - .1000" ± 0.1000" GS - .1005" ± 0.1005" GT - .1010" ± 0.1010" GU - .1015" ± 0.1015" GV - .1020" ± 0.1020" GW - .1025" ± 0.1025" GX - .1030" ± 0.1030" GY - .1035" ± 0.1035" GZ - .1040" ± 0.1040" HA - .1045" ± 0.1045" HB - .1050" ± 0.1050" HC - .1055" ± 0.1055" HD - .1060" ± 0.1060" HE - .1065" ± 0.1065" HF - .1070" ± 0.1070" HG - .1075" ± 0.1075" HH - .1080" ± 0.1080" HI - .1085" ± 0.1085" HJ - .1090" ± 0.1090" HK - .1095" ± 0.1095" HL - .1100" ± 0.1100" HM - .1105" ± 0.1105" HN - .1110" ± 0.1110" HO - .1115" ± 0.1115" HP - .1120" ± 0.1120" HQ - .1125" ± 0.1125" HR - .1130" ± 0.1130" HS - .1135" ± 0.1135" HT - .1140" ± 0.1140" HU - .1145" ± 0.1145" HV - .1150" ± 0.1150" HW - .1155" ± 0.1155" HX - .1160" ± 0.1160" HY - .1165" ± 0.1165" HZ - .1170" ± 0.1170" IA - .1175" ± 0.1175" IB - .1180" ± 0.1180" IC - .1185" ± 0.1185" ID - .1190" ± 0.1190" IE - .1195" ± 0.1195" IF - .1200" ± 0.1200" IG - .1205" ± 0.1205" IH - .1210" ± 0.1210" II - .1215" ± 0.1215" IJ - .1220" ± 0.1220" IK - .1225" ± 0.1225" IL - .1230" ± 0.1230" IM - .1235" ± 0.1235" IN - .1240" ± 0.1240" IO - .1245" ± 0.1245" IP - .1250" ± 0.1250" IQ - .1255" ± 0.1255" IR - .1260" ± 0.1260" IS - .1265" ± 0.1265" IT - .1270" ± 0.1270" IU - .1275" ± 0.1275" IV - .1280" ± 0.1280" IW - .1285" ± 0.1285" IX - .1290" ± 0.1290" IY - .1295" ± 0.1295" IZ - .1300" ± 0.1300" JA - .1305" ± 0.1305" JB - .1310" ± 0.1310" JC - .1315" ± 0.1315" JD - .1320" ± 0.1320" JE - .1325" ± 0.1325" JF - .1330" ± 0.1330" JG - .1335" ± 0.1335" JH - .1340" ± 0.1340" JI - .1345" ± 0.1345" JJ - .1350" ± 0.1350" JK - .1355" ± 0.1355" JL - .1360" ± 0.1360" JM - .1365" ± 0.1365" JN - .1370" ± 0.1370" JO - .1375" ± 0.1375" JP - .1380" ± 0.1380" JQ - .1385" ± 0.1385" JR - .1390" ± 0.1390" JS - .1395" ± 0.1395" JT - .1400" ± 0.1400" JU - .1405" ± 0.1405" JV - .1410" ± 0.1410" JW - .1415" ± 0.1415" JX - .1420" ± 0.1420" JY - .1425" ± 0.1425" JZ - .1430" ± 0.1430" KA - .1435" ± 0.1435" KB - .1440" ± 0.1440" KC - .1445" ± 0.1445" KD - .1450" ± 0.1450" KE - .1455" ± 0.1455" KF - .1460" ± 0.1460" KG - .1465" ± 0.1465" KH - .1470" ± 0.1470" KI - .1475" ± 0.1475" KJ - .1480" ± 0.1480" KK - .1485" ± 0.1485" KL - .1490" ± 0.1490" KM - .1495" ± 0.1495" KN - .1500" ± 0.1500" KO - .1505" ± 0.1505" KP - .1510" ± 0.1510" KQ - .1515" ± 0.1515" KR - .1520" ± 0.1520" KS - .1525" ± 0.1525" KT - .1530" ± 0.1530" KU - .1535" ± 0.1535" KV - .1540" ± 0.1540" KW - .1545" ± 0.1545" KX - .1550" ± 0.1550" KY - .1555" ± 0.1555" KZ - .1560" ± 0.1560" LA - .1565" ± 0.1565" LB - .1570" ± 0.1570" LC - .1575" ± 0.1575" LD - .1580" ± 0.1580" LE - .1585" ± 0.1585" LF - .1590" ± 0.1590" LG - .1595" ± 0.1595" LH - .1600" ± 0.1600" LI - .1605" ± 0.1605" LJ - .1610" ± 0.1610" LK - .1615" ± 0.1615" LL - .1620" ± 0.1620" LM - .1625" ± 0.1625" LN - .1630" ± 0.1630" LO - .1635" ± 0.1635" LP - .1640" ± 0.1640" LQ - .1645" ± 0.1645" LR - .1650" ± 0.1650" LS - .1655" ± 0.1655" LT - .1660" ± 0.1660" LU - .1665" ± 0.1665" LV - .1670" ± 0.1670" LW - .1675" ± 0.1675" LX - .1680" ± 0.1680" LY - .1685" ± 0.1685" LZ - .1690" ± 0.1690" MA - .1695" ± 0.1695" MB - .1700" ± 0.1700" MC - .1705" ± 0.1705" MD - .1710" ± 0.1710" ME - .1715" ± 0.1715" MF - .1720" ± 0.1720" MG - .1725" ± 0.1725" MH - .1730" ± 0.1730" MI - .1735" ± 0.1735" MJ - .1740" ± 0.1740" MK - .1745" ± 0.1745" ML - .1750" ± 0.1750" MO - .1755" ± 0.1755" MP - .1760" ± 0.1760" MQ - .1765" ± 0.1765" MR - .1770" ± 0.1770" MS - .1775" ± 0.1775" MT - .1780" ± 0.1780" MU - .1785" ± 0.1785" MV - .1790" ± 0.1790" MW - .1795" ± 0.1795" MX - .1800" ± 0.1800" MY - .1805" ± 0.1805" MZ - .1810" ± 0.1810" NA - .1815" ± 0.1815" NB - .1820" ± 0.1820" NC - .1825" ± 0.1825" ND - .1830" ± 0.1830" NE - .1835" ± 0.1835" NF - .1840" ± 0.1840" NG - .1845" ± 0.1845" NH - .1850" ± 0.1850" NI - .1855" ± 0.1855" NJ - .1860" ± 0.1860" NK - .1865" ± 0.1865" NL - .1870" ± 0.1870" NO - .1875" ± 0.1875" NP - .1880" ± 0.1880" NQ - .1885" ± 0.1885" NR - .1890" ± 0.1890" NS - .1895" ± 0.1895" NT - .1900" ± 0.1900" NU - .1905" ± 0.1905" NV - .1910" ± 0.1910" NW - .1915" ± 0.1915" NX - .1920" ± 0.1920" NY - .1925" ± 0.1925" NZ - .1930" ± 0.1930" OA - .1935" ± 0.1935" OB - .1940" ± 0.1940" OC - .1945" ± 0.1945" OD - .1950" ± 0.1950" OE - .1955" ± 0.1955" OF - .1960" ± 0.1960" OG - .1965" ± 0.1965" OH - .1970" ± 0.1970" OI - .1975" ± 0.1975" OJ - .1980" ± 0.1980" OK - .1985" ± 0.1985" OL - .1990" ± 0.1990" OM - .1995" ± 0.1995" ON - .2000" ± 0.2000" OO - .2005" ± 0.2005" OP - .2010" ± 0.2010" OQ - .2015" ± 0.2015" OR - .2020" ± 0.2020" OS - .2025" ± 0.2025" OT - .2030" ± 0.2030" OU - .2035" ± 0.2035" OV - .2040" ± 0.2040" OW - .2045" ± 0.2045" OX - .2050" ± 0.2050" OY - .2055" ± 0.2055" OZ - .2060" ± 0.2060" PA - .2065" ± 0.2065" PB - .2070" ± 0.2070" PC - .2075" ± 0.2075" PD - .2080" ± 0.2080" PE - .2085" ± 0.2085" PF - .2090" ± 0.2090" PG - .2095" ± 0.2095" PH - .2100" ± 0.2100" PI - .2105" ± 0.2105" PJ - .2110" ± 0.2110" PK - .2115" ± 0.2115" PL - .2120" ± 0.2120" PM - .2125" ± 0.2125" PN - .2130" ± 0.2130" PO - .2135" ± 0.2135" PP - .2140" ± 0.2140" PQ - .2145" ± 0.2145" PR - .2150" ± 0.2150" PS - .2155" ± 0.2155" PT - .2160" ± 0.2160" PU - .2165" ± 0.2165" PV - .2170" ± 0.2170" PW - .2175" ± 0.2175" PX - .2180" ± 0.2180" PY - .2185" ± 0.2185" PZ - .2190" ± 0.2190" QA - .2195" ± 0.2195" QB - .2200" ± 0.2200" QC - .2205" ± 0.2205" QD - .2210" ± 0.2210" QE - .2215" ± 0.2215" QF - .2220" ± 0.2220" QG - .2225" ± 0.2225" QH - .2230" ± 0.2230" QI - .2235" ± 0.2235" QJ - .2240" ± 0.2240" QK - .2245" ± 0.2245" QL - .2250" ± 0.2250" QM - .2255" ± 0.2255" QN - .2260" ± 0.2260" QO - .2265" ± 0.2265" QP - .2270" ± 0.2270" QQ - .2275" ± 0.2275" QR - .2280" ± 0.2280" QS - .2285" ± 0.2285" QT - .2290" ± 0.2290" QU - .2295" ± 0.2295" QV - .2300" ± 0.2300" QW - .2305" ± 0.2305" QX - .2310" ± 0.2310" QY - .2315" ± 0.2315" QZ - .2320" ± 0.2320" RA - .2325" ± 0.2325" RB - .2330" ± 0.2330" RC - .2335" ± 0.2335" RD - .2340" ± 0.2340" RE - .2345" ± 0.2345" RF - .2350" ± 0.2350" RG - .2355" ± 0.2355" RH - .2360" ± 0.2360" RI - .2365" ± 0.2365" RJ - .2370" ± 0.2370" RK - .2375" ± 0.2375" RL - .2380" ± 0.2380" RM - .2385" ± 0.2385" RN - .2390" ± 0.2390" RO - .2395" ± 0.2395" RP - .2400" ± 0.2400" RQ - .2405" ± 0.2405" RR - .2410" ± 0.2410" RS - .2415" ± 0.2415" RT - .2420" ± 0.2420" RU - .2425" ± 0.2425" RV - .2430" ± 0.2430" RW - .2435" ± 0.2435" RX - .2440" ± 0.2440" RY - .2445" ± 0.2445" RZ - .2450" ± 0.2450" SA - .2455" ± 0.2455" SB - .2460" ± 0.2460" SC - .2465" ± 0.2465" SD - .2470" ± 0.2470" SE - .2475" ± 0.2475" SF - .2480" ± 0.2480" SG - .2485" ± 0.2485" SH - .2490" ± 0.2490" SI - .2495" ± 0.2495" SJ - .2500" ± 0.2500" SK - .2505" ± 0.2505" SL - .2510" ± 0.2510" SM - .2515" ± 0.2515" SN - .2520" ± 0.2520" SO - .2525" ± 0.2525" SP - .2530" ± 0.2530" SQ - .2535" ± 0.2535" SR - .2540" ± 0.2540" SS - .2545" ± 0.2545" ST - .2550" ± 0.2550" SU - .2555" ± 0.2555" SV - .2560" ± 0.2560" SW - .2565" ± 0.2565" SX - .2570" ± 0.2570" SY - .2575" ± 0.2575" SZ - .2580" ± 0.2580" TA - .2585" ± 0.2585" TB - .2590" ± 0.2590" TC - .2595" ± 0.2595" TD - .2600" ± 0.2600" TE - .2605" ± 0.2605" TF - .2610" ± 0.2610" TG - .2615" ± 0.2615" TH - .2620" ± 0.2620" TI - .2625" ± 0.2625" TJ - .2630" ± 0.2630" TK - .2635" ± 0.2635" TL - .2640" ± 0.2640" TM - .2645" ± 0.2645" TN - .2650" ± 0.2650" TO - .2655" ± 0.2655" TP - .2660" ± 0.2660" TQ - .2665" ± 0.2665" TR - .2670" ± 0.2670" TS - .2675" ± 0.2675" TT - .2680" ± 0.2680" TU - .2685" ± 0.2685" TV - .2690" ± 0.2690" TW - .2695" ± 0.2695" TX - .2700" ± 0.2700" TY - .2705" ± 0.2705" 							