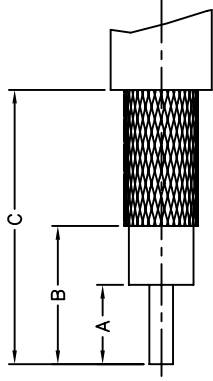
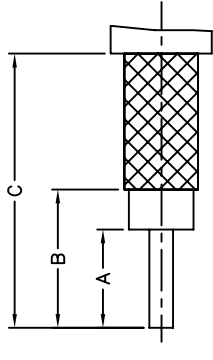


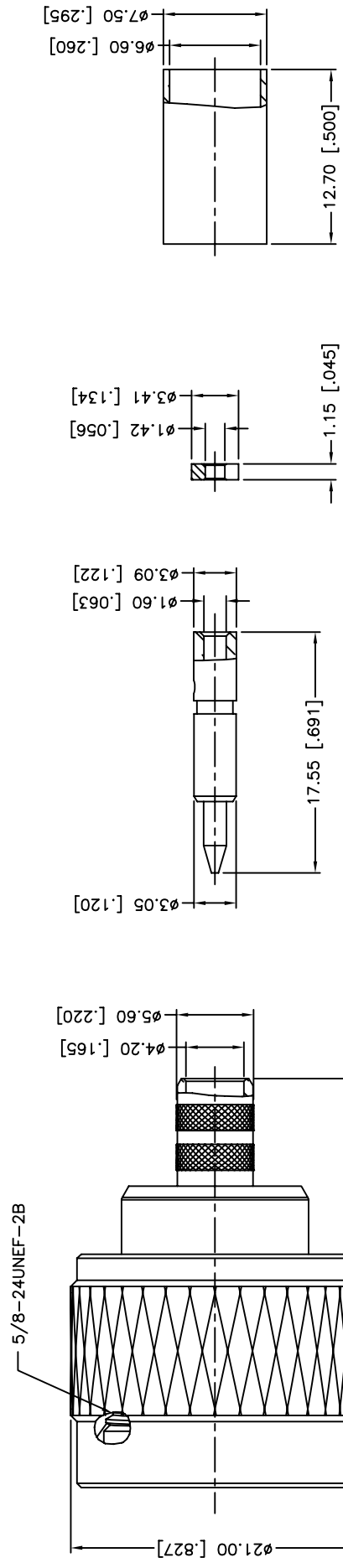
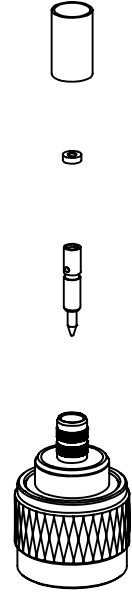
| REV. | DATE | ECR NO. | DESCRIPTION |
|------|----------|---------|--|
| A | 04/31/03 | XXXX | UPDATE DRAWING FORMAT |
| B | 03/16/12 | 2289 | INSULATOR,BARREL,CONTACT PIN WERE CHANGED |
| C | 06/05/13 | 2500 | INSULATOR,CONTACT PIN WERE CHANGED, ADD SMALL INSULATOR |
| D | 11/08/13 | 2544 | CONTACT PIN WAS CHANGED, ADD NOTE #10, MODIFY STRIPPING DIMENSIONS |



LMR-240



RG-8/X



1. IMPEDANCE: 50 OHM
2. FREQUENCY RANGE: DC-11 GHz
3. VSWR: 1.3 MAX. @ 0-6 GHz
4. INSERTION LOSS: 0.7dB MAX.@ 0-5.8 GHz
5. DIELECTRIC WITHSTANDING VOLTAGE: 2500 VRMS, MIN.
6. DURABILITY: 500 CYCLES MIN.
7. TEMPERATURE RANGE: -65°C TO +165°C
8. CRIMPED FERRULE: HEX. CRIMP SIZE .255"
9. CRIMPED CONTACT PIN OR SOLDER HEX. CRIMP SIZE .100"
10. SEE TABLE A FOR RECOMMENDED CABLE STRIPPING DIMENSIONS

TABLE A

| CABLE TYPE | DIMENSION A | DIMENSION B | DIMENSION C | SPACER REQUIRED |
|------------|-------------|-------------|--------------|-----------------|
| LMR-240 | 6.00 [.236] | 8.45 [.333] | 16.75 [.659] | YES |
| RG-8/X | 4.85 [.191] | 8.45 [.333] | 16.75 [.659] | NO |

| APPROVALS | | DATE |
|-------------------------------|---------|----------|
| DRAWN | M.ZHANG | 11/08/13 |
| CHECKED | | |
| ISSUED | | |
| SHEET | 1 OF 1 | |
| CAD FILE C:/CONNEX/172135.DWG | | |

| UNLESS OTHERWISE SPECIFIED DIMENSIONS ARE IN MILLIMETERS DIMENSIONS IN [] ARE IN INCHES UNLESS OTHERWISE SPECIFIED | | | | |
|---|---------------|----------|---|--------|
| TOLERANCES FOR MILLIMETERS ARE: | | | | |
| <0.5 | ± 0.05mm | | | |
| 0.5 - 6mm | ± 0.10mm | | | |
| 6 - 30mm | ± 0.20mm | | | |
| 30 - 120mm | ± 0.30mm | | | |
| ANGLES ± 1° | | | | |
| UNLESS OTHERWISE SPECIFIED TOLERANCES FOR INCHES ARE: | | | | |
| <.020 | ± 0.002" | | | |
| .020 - .236 | ± 0.004" | | | |
| .236 - 1.180 | ± 0.007" | | | |
| 1.180 - 4.724 | ± 0.012" | | | |
| ANGLES ± 1° | | | | |
| 9 | FERRULE | NEXCOTE | 1 | QTY |
| 8 | SPACER | NATURAL | 1 | |
| 7 | CONTACT PIN | GOLD | 1 | |
| 6 | RETAINER RING | SUS 304 | 1 | |
| 5 | GASKET | SILICONE | 1 | |
| 4 | INSULATOR | PITE | 1 | |
| 3 | BARREL | BRASS | 1 | |
| 2 | BODY | BRASS | 1 | |
| 1 | SHELL | BRASS | 1 | |
| | DESCRIPTION | MATERIAL | | FINISH |

| REV. | DATE | REV. D | SIZE | SCALE |
|------|------|--------|------|-------|
| | | | A | NA |

Amphenol Connex

**N CRIMP PLUG
(FOR LMR-240, RG-8/X CABLE)**

PART NO. 172135

DWG. NO. 172135.DWG

DO NOT SCALE DRAWING