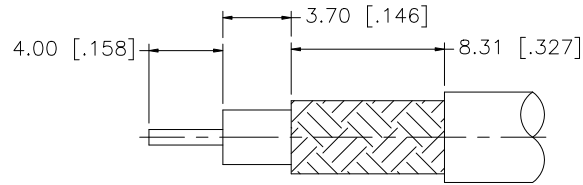
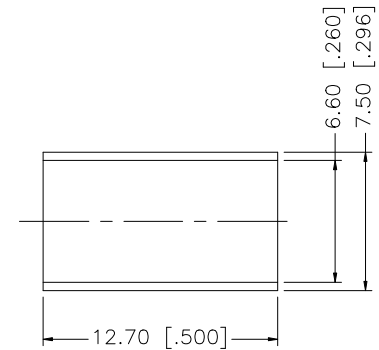
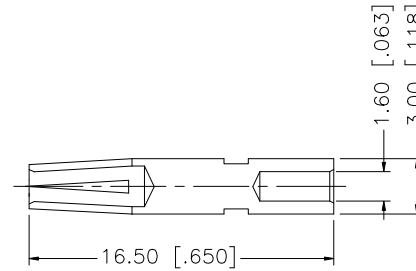
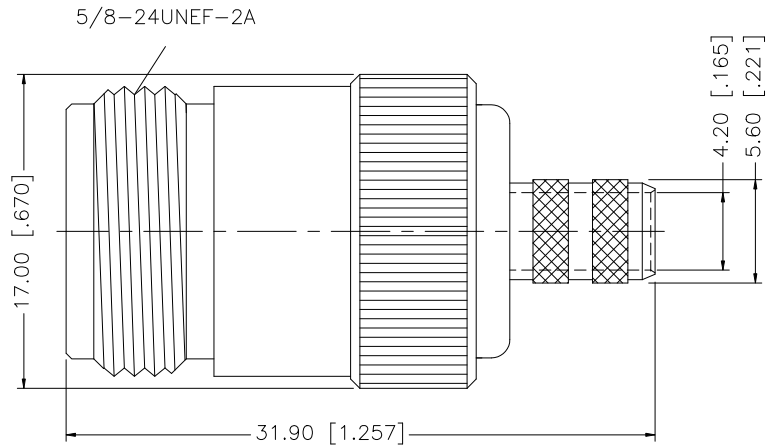


REV.	DATE	ECR NO.	DESCRIPTION
A	12/05/99	-	UPDATE DRAWING
B	01/21/07	-	UPDATE DRAWING FORMAT
C	04/07/08	XXXXXX	REVISE BODY, FERRULE PLATING TO NEXCOTE



RECOMMENDED CABLE STRIPPING DIMS.



8				
7				
6				
5				
4	FERRULE	BRASS	NEXCOTE	1
3	CONTACT PIN	BER. COPPER	GOLD	1
2	INSULATOR	TEFLON	NATURAL	1
1	BODY	BRASS	NEXCOTE	1
	DESCRIPTION	MATERIAL	FINISH	QTY

UNLESS OTHERWISE SPECIFIED DIMENSIONS ARE IN MILLIMETERS. DIMENSIONS IN [ ] ARE IN INCHES AND FOR CUSTOMER REFERENCE ONLY.

UNLESS OTHERWISE SPECIFIED TOLERANCES FOR MILLIMETERS ARE:  
0.5 - 8mm ± 0.20mm  
8 - 30mm ± 0.40mm  
30 - 120mm ± 0.50mm

UNLESS OTHERWISE SPECIFIED TOLERANCES FOR INCHES ARE:  
.020 - .315 = ± 0.007"  
.315 - 1.180 = ± 0.015"  
1.180 - 4.724 = ± 0.020"

DO NOT SCALE DRAWING

APPROVALS	DATE
DRAWN G.R.S.	04/07/08
CHECKED	
ISSUED	
SHEET 1 OF 1	
CAD FILE	C:/172/172148.DWG

# Amphenol Connex

N CRIMP JACK  
(FOR RG-8X, LMR240, B7808A CABLE)

PART DESCRIPTION

PART NO.

172148

DWG. NO.

1721248.DWG

REV. C

SIZE A

SCALE NA