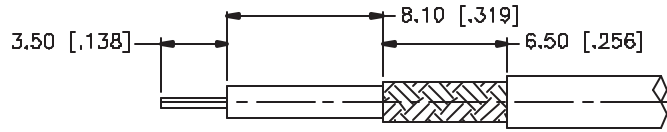
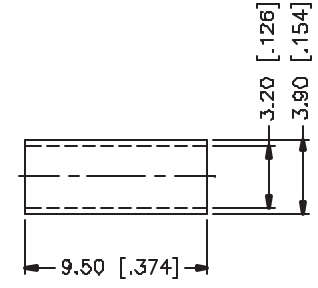
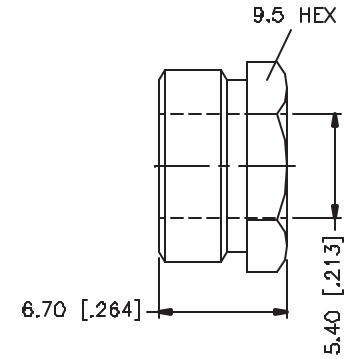
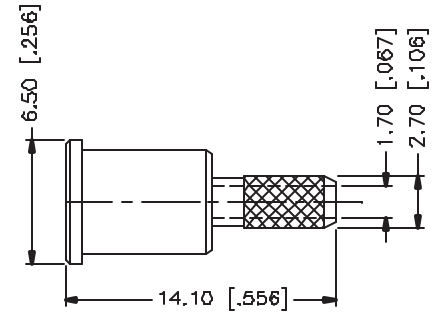
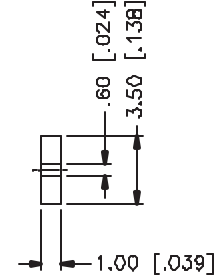
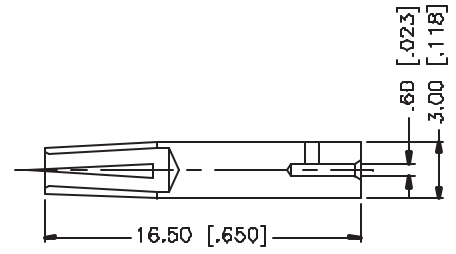
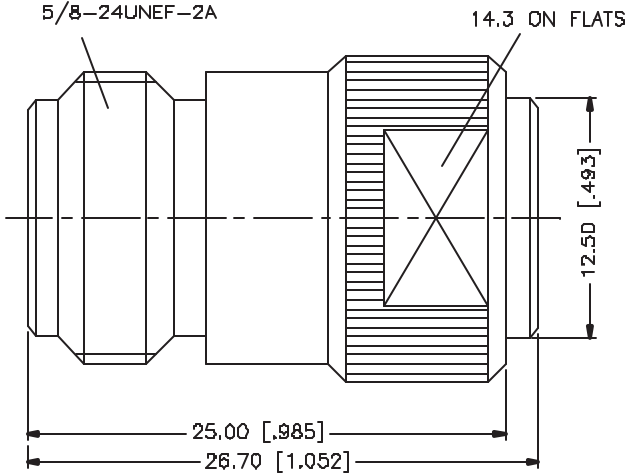


REV.	DATE	DESCRIPTION
A	12/16/04	UPDATE BARREL LENGTH TO 14.1mm
B	05/22/05	MODIFY PLATING SPEC



RECOMMENDED CABLE STRIPPING DIMENSIONS



QTY	FINISH	MATERIAL	DESCRIPTION
1	NEXCOTE	BRASS	BODY
1	NATURAL	TEFLON	INSULATOR
1	GDLD	PHOS. BRONZE	CONTACT PIN
1	NEXCOTE	BRASS	BARREL
1	NEXCOTE	BRASS	HEX NUT
1	NEXCOTE	COPPER	FERRULE

UNLESS OTHERWISE SPECIFIED DIMENSIONS ARE IN MILLIMETERS. DIMENSIONS IN () ARE IN INCHES AND FOR CUSTOMER REFERENCE ONLY.

UNLESS OTHERWISE SPECIFIED TOLERANCES FOR MILLIMETERS ARE:
D.5 - 3mm ± 0.20mm
3 - 30mm ± 0.40mm
30 - 120mm ± 0.50mm

UNLESS OTHERWISE SPECIFIED TOLERANCES FOR INCHES ARE:
.020 - .315 = ± 0.007"
.315 - 1.180 = ± 0.015"
1.180 - 4.724 = ± 0.020"

DO NOT SCALE DRAWING

APPROVALS	DATE
DRAWN G.R.S.	05/22/05
CHECKED	
ISSUED	
SHEET 1 OF 1	
CAD FILE C:/172/172204.DWG	

Amphenol Connex

PART DESCRIPTION
N STRAIGHT CRIMP JACK
(FOR RG-174/U, 188A/U, 316/U)

PART NO.
172204

DWG. NO.	172204.DWG	REV.	B	SIZE	A	SCALE	NA
----------	------------	------	---	------	---	-------	----