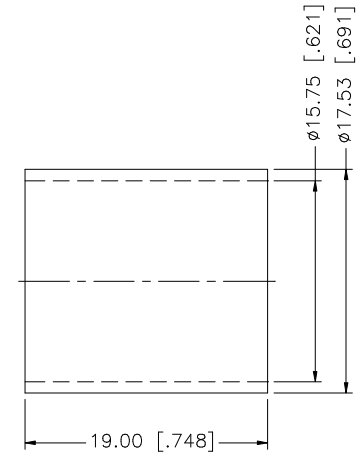
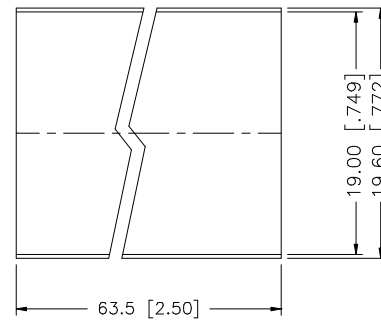
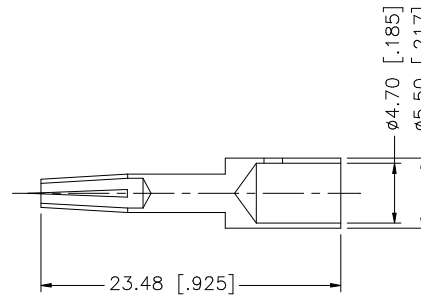
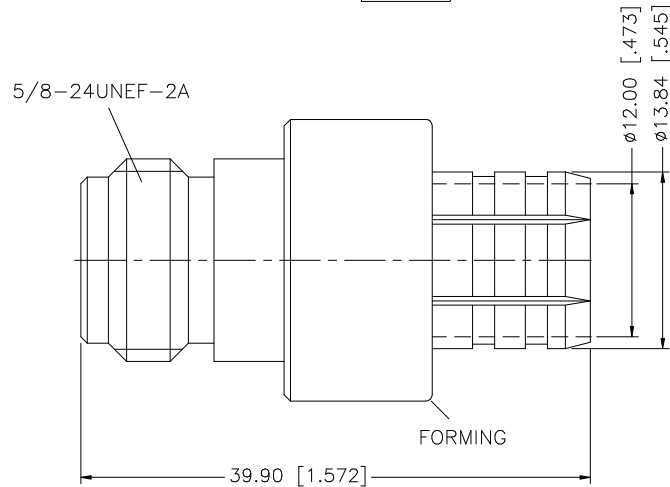
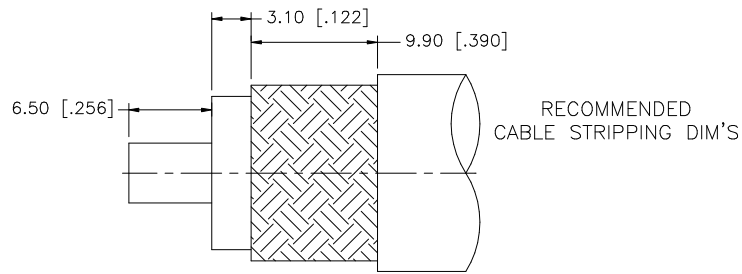


REV.	DATE	DESCRIPTION
NC	03/18/98	INITIAL RELEASE
A	02/19/07	UPDATE DRAWING FORMAT



8			
7			
6			
5	HEAT SHRINK		1
4	FERRULE	COPPER	NICKEL 1
3	CONTACT PIN	PHOS. BRONZE	GOLD 1
2	INSULATOR	TEFLON	NATURAL 1
1	BODY	BRASS	NICKEL 1
	DESCRIPTION	MATERIAL	FINISH QTY

UNLESS OTHERWISE SPECIFIED DIMENSIONS ARE IN MILLIMETERS. DIMENSIONS IN [] ARE IN INCHES AND FOR CUSTOMER REFERENCE ONLY.

UNLESS OTHERWISE SPECIFIED TOLERANCES FOR MILLIMETERS ARE:
 0.5 - 8mm ± 0.20mm
 8 - 30mm ± 0.40mm
 30 - 120mm ± 0.50mm

UNLESS OTHERWISE SPECIFIED TOLERANCES FOR INCHES ARE:
 .020 - .315 = ± 0.007"
 .315 - 1.180 = ± 0.015"
 1.180 - 4.724 = ± 0.020"

DO NOT SCALE DRAWING

APPROVALS	DATE
DRAWN G.R.S.	03/11/07
CHECKED	
ISSUED	
SHEET 1 OF 1	
CAD FILE C:/172/172207.DWG	

Amphenol Connex

PART DESCRIPTION			
N CRIMP JACK - LMR 600 CABLE			
-			
PART NO.			
172207			
DWG. NO.	172207.DWG	REV. A	SCALE NA