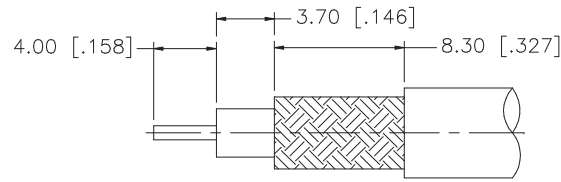
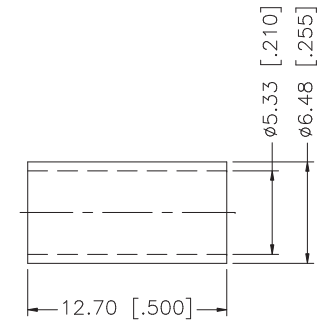
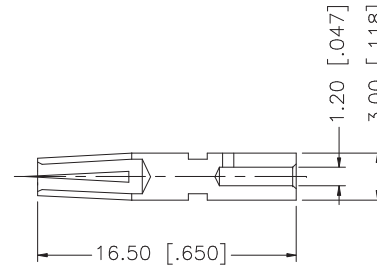
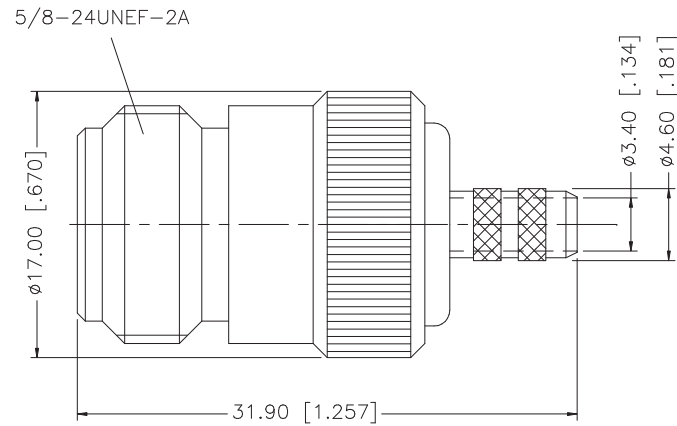


| REV. | DATE | DESCRIPTION |
|------|----------|-----------------------|
| A | 12/09/03 | UPDATE DRAWING FORMAT |



RECOMMENDED
CABLE STRIPPING DIM'S



NOTES:

1. CRIMPED FERRULE
HEX. CRIMP SIZE .213"
2. CRIMPED CONTACT PIN
HEX. CRIMP SIZE .100"

| | | | | | | | | | |
|---|-------------|--------------|---------|---|-----------|----------|--|---------------------|----------|
| 8 | | | | <p>UNLESS OTHERWISE SPECIFIED DIMENSIONS ARE IN MILLIMETERS. DIMENSIONS IN [] ARE IN INCHES AND FOR CUSTOMER REFERENCE ONLY.</p> <p>UNLESS OTHERWISE SPECIFIED TOLERANCES FOR MILLIMETERS ARE: 0.5 - 8mm ± 0.20mm 8 - 30mm ± 0.40mm 30 - 120mm ± 0.50mm</p> <p>UNLESS OTHERWISE SPECIFIED TOLERANCES FOR INCHES ARE: .020 - .315 = ± 0.007" .315 - 1.180 = ± 0.015" 1.180 - 4.724 = ± 0.020"</p> <p>DO NOT SCALE DRAWING</p> | APPROVALS | DATE | <h1 style="text-align: center;">Amphenol Connex</h1> <p style="text-align: center;">N CRIMP JACK (FOR LMR200 CABLE - 50ohms)</p> | | |
| 7 | | | | | DRAWN | G.R.S. | | 12/09/03 | |
| 6 | | | | | CHECKED | | | | |
| 5 | | | | | ISSUED | | | | |
| 4 | FERRULE | COPPER | NEXCOTE | | 1 | SHEET | 1 OF 1 | PART DESCRIPTION | |
| 3 | CONTACT PIN | PHOS. BRONZE | GOLD | | 1 | | | PART NO. | |
| 2 | INSULATOR | TEFLON | NATURAL | | 1 | | | 172216 | |
| 1 | BODY | BRASS | NEXCOTE | | 1 | CAD FILE | C:/172/172216.DWG | DWG. NO. 172216.DWG | |
| | DESCRIPTION | MATERIAL | FINISH | QTY | | | REV. A | SIZE A | SCALE NA |