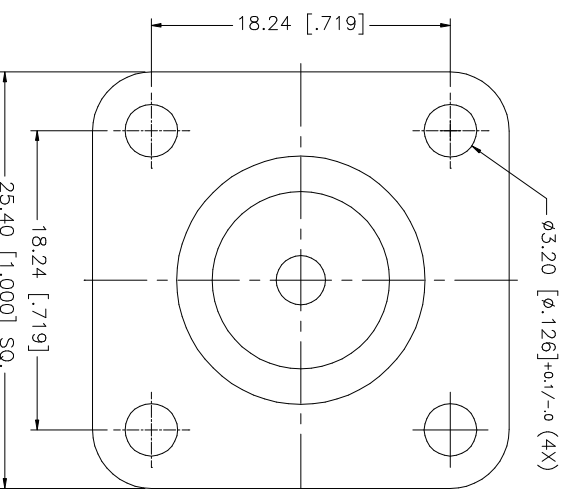
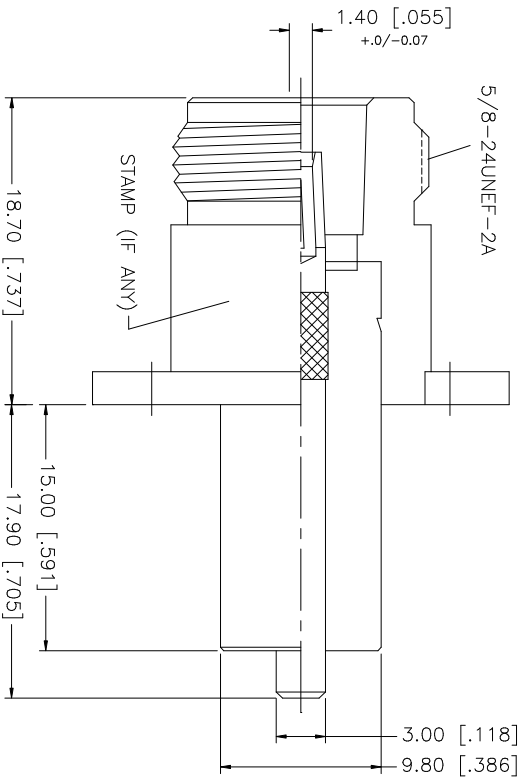


REV.	DATE	DESCRIPTION
NC	06/24/03	INITIAL RELEASE



8																					
7																					
6																					
5																					
4																					
3	CONTACT PIN	BER. COPPER	GOLD	1																	
2	INSULATOR	TEFLON	NATURAL	1																	
1	BODY	BRASS	NECOCOTE	1																	
	DESCRIPTION	MATERIAL	FINISH	QTY	UNLESS OTHERWISE SPECIFIED DIMENSIONS ARE IN MILLIMETERS. DIMENSIONS IN [ ] ARE IN INCHES AND FOR CUSTOMER REFERENCE ONLY. UNLESS OTHERWISE SPECIFIED TOLERANCES FOR MILLIMETERS ARE: 0.5 - 8mm ± 0.20mm 8 - 30mm ± 0.40mm 30 - 120mm ± 0.50mm UNLESS OTHERWISE SPECIFIED TOLERANCES FOR INCHES ARE: .020 - .315 = ± 0.007" .315 - 1.180 = ± 0.015" 1.180 - 4.724 = ± 0.020" DO NOT SCALE DRAWING										APPROVALS	DATE	PART DESCRIPTION <b>N PANEL RECEPTACLE JACK (EXTENDED FLANGE)</b> PART NO. 172228-14 DWG. NO. 172228-14.DWG REV. NC SIZE A SCALE NA				
					CAD FILE C:/172/172228-14.DWG																
					<b>Amphenol Connex</b>																