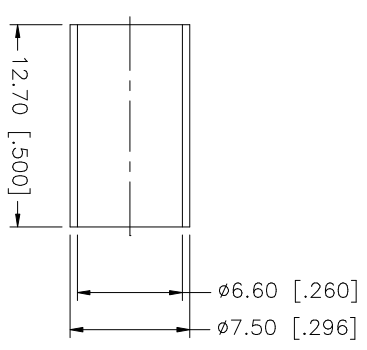
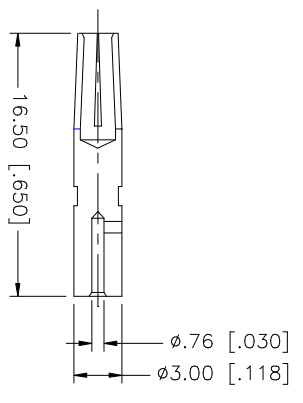
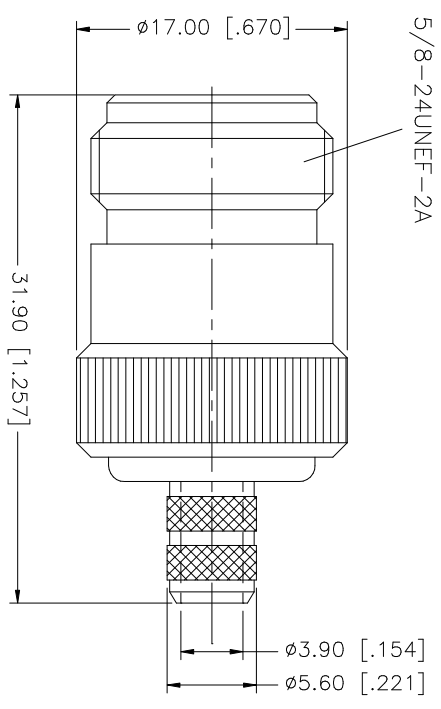
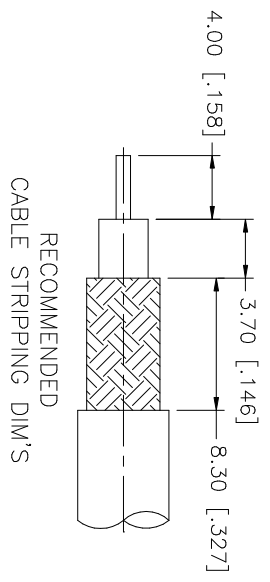


REV.	DATE	DESCRIPTION
NC	06/26/06	INITIAL RELEASE



NO.	DESCRIPTION	MATERIAL	FINISH	QTY	UNLESS OTHERWISE SPECIFIED DIMENSIONS ARE IN INCHES AND FOR CUSTOMER REFERENCE ONLY.	UNLESS OTHERWISE SPECIFIED DIMENSIONS ARE IN MILLIMETERS AND FOR CUSTOMER REFERENCE ONLY.	UNLESS OTHERWISE SPECIFIED DIMENSIONS ARE IN MILLIMETERS AND FOR CUSTOMER REFERENCE ONLY.	UNLESS OTHERWISE SPECIFIED DIMENSIONS ARE IN MILLIMETERS AND FOR CUSTOMER REFERENCE ONLY.	UNLESS OTHERWISE SPECIFIED DIMENSIONS ARE IN MILLIMETERS AND FOR CUSTOMER REFERENCE ONLY.	UNLESS OTHERWISE SPECIFIED DIMENSIONS ARE IN MILLIMETERS AND FOR CUSTOMER REFERENCE ONLY.		
8												
7												
6												
5												
4	FERRULE	COPPER	NEXCOTE	1								
3	CONTACT PIN	PHOS. BRONZE	GOLD	1								
2	INSULATOR	TEFLON	NATURAL	1								
1	BODY	BRASS	NEXCOTE	1								
DESCRIPTION					DO NOT SCALE DRAWING							
DESCRIPTION					CAD FILE		C:/172/172104.DWG		DWG. NO.		172104.DWG	
DESCRIPTION					APPROVALS		DATE		PART DESCRIPTION			
DESCRIPTION					DRAWN		G.R.S.		06/26/06		N CRIMP JACK (FOR RG-59/U CABLE)	
DESCRIPTION					CHECKED						172104	
DESCRIPTION					ISSUED							
DESCRIPTION					SHEET		1 OF 1					
DESCRIPTION					PART NO.							
DESCRIPTION					REV		A		SIZE		A	
DESCRIPTION					SCALE		NA					

**Amphenol Connex**