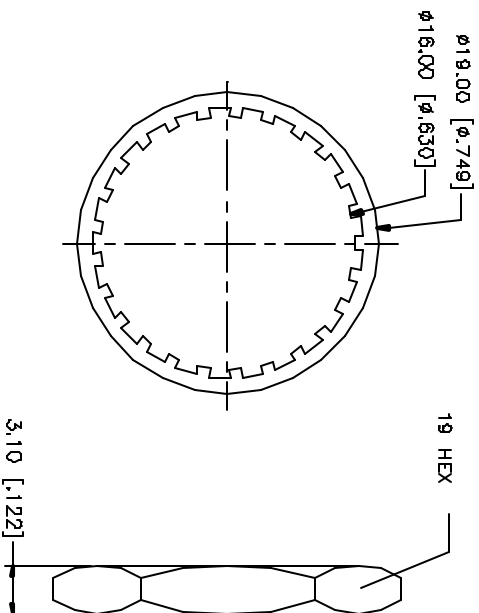
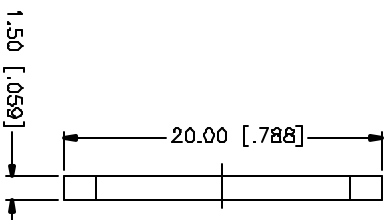
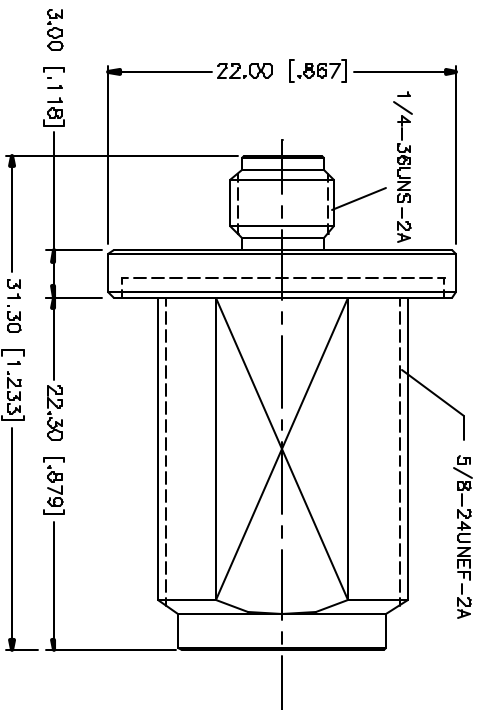
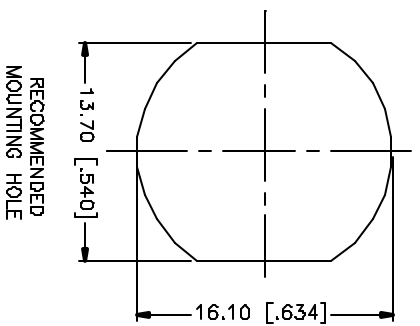


REV.	DATE	DESCRIPTION
A	05/01/04	UPDATE DRAWING FORMAT



NO.	DESCRIPTION	MATERIAL	FINISH	QTY	UNLESS OTHERWISE SPECIFIED DIMENSIONS ARE IN MILLIMETERS. DIMENSIONS IN [] ARE IN INCHES AND FOR DIMENSION REFERENCE ONLY.	APPROVALS	DATE	PART DESCRIPTION
1	INSULATOR BODY	BRASS	NICKEL	1	UNLESS OTHERWISE SPECIFIED DIMENSIONS ARE IN MILLIMETERS. DIMENSIONS IN [] ARE IN INCHES AND FOR DIMENSION REFERENCE ONLY. TOLERANCES FOR MILLIMETERS: 0.15 - 0.20mm ± 0.020mm 0.20 - 1.20mm ± 0.030mm 1.20 - 4.774mm ± 0.050mm DIMENSIONS FOR HOLE AND TOLERANCES FOR HOLE ARE: .020 - .315 = ± 0.0075 .315 - 1.180 = ± 0.015 1.180 - 4.774 = ± 0.020	DRAWN G.R.S. CHECKED ISSUED SHEET 1 OF 1	05/01/04	N FEMALE TO SMA FEMALE BULKHEAD ADAPTER
2	INSULATOR	TEFLON	NATURAL	1				
3	CONTACT PIN	BER. COPPER	GOLD	1				
4	GASKET	SILICONE	RED	1				
5	LOCK WASHER	BRASS	NICKEL	1				
6	HEX NUT	BRASS	NICKEL	1				
7								
8								
DESCRIPTION								
MATERIAL								
FINISH								
QTY								
DO NOT SCALE DRAWING								
CADD FILE								
C:/242/242125.DWG								
DIMC NO.								
242125.DWG								
REV. A								
SIZE A								
SCALE NA								

Amphenol Connex

N FEMALE TO SMA FEMALE BULKHEAD ADAPTER

242125