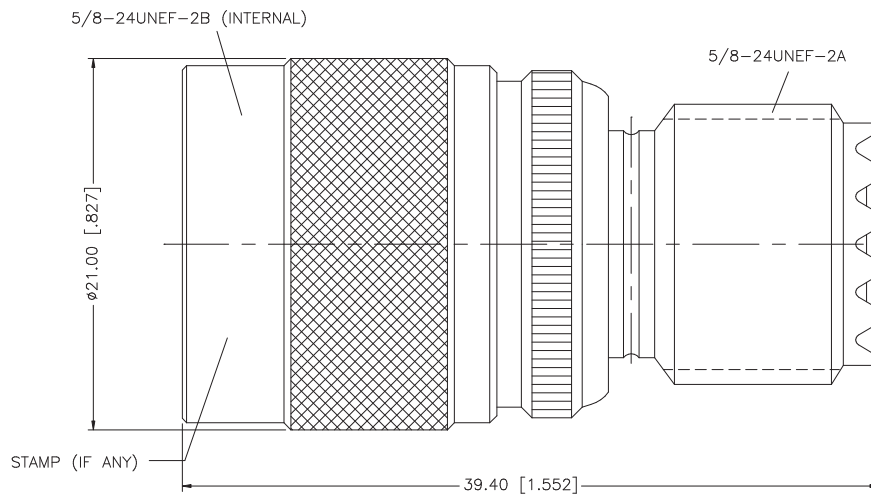


REV.	DATE	DESCRIPTION
A	01/22/04	UPDATE BODY STYLE AND DRAWING FORMAT



				APPROVALS	DATE	Amphenol Connex					
8				DRAWN	G.R.S.					01/22/04	N PLUG TO UHF JACK ADAPTER PART NO. 242155 DWG. NO. 242155.DWG REV. A SIZE A SCALE NA
7				CHECKED							
6				ISSUED							
5				SHEET	1 OF 1						
4	CONTACT PIN (UHF)	BRASS	GOLD	1							
3	CONTACT PIN (N)	BRASS	GOLD	1							
2	INSULATOR	TEFLON	NATURAL	1							
1	BODY	BRASS	NICKEL	1							
DESCRIPTION				MATERIAL	FINISH	QTY					
				UNLESS OTHERWISE SPECIFIED DIMENSIONS ARE IN MILLIMETERS. DIMENSIONS IN [] ARE IN INCHES AND FOR CUSTOMER REFERENCE ONLY.							
				UNLESS OTHERWISE SPECIFIED TOLERANCES FOR MILLIMETERS ARE:							
				0.5 - 3mm ± 0.20mm							
				3 - 30mm ± 0.40mm							
				30 - 120mm ± 0.50mm							
				UNLESS OTHERWISE SPECIFIED TOLERANCES FOR INCHES ARE:							
				.020 - .315 = ± 0.007"							
				.315 - 1.180 = ± 0.015"							
				1.180 - 4.724 = ± 0.020"							
				DO NOT SCALE DRAWING							
				CAD FILE			C:/242/242155.DWG				