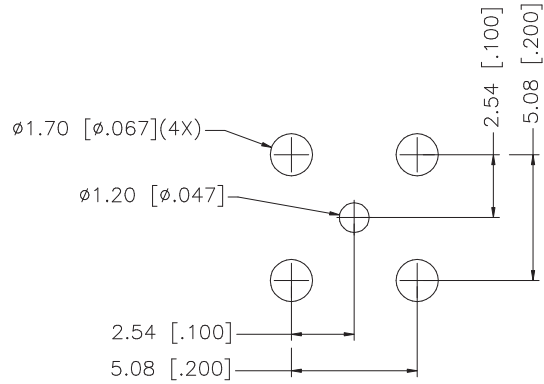
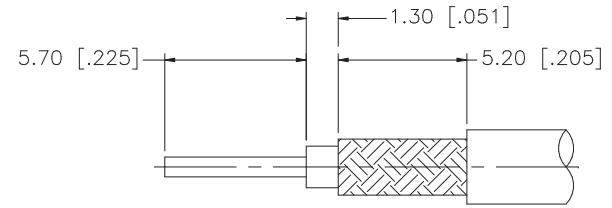


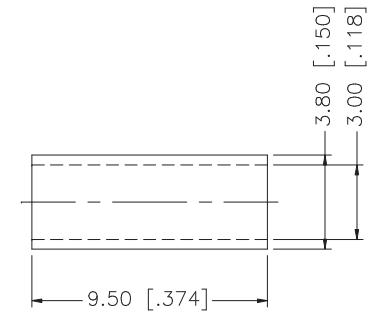
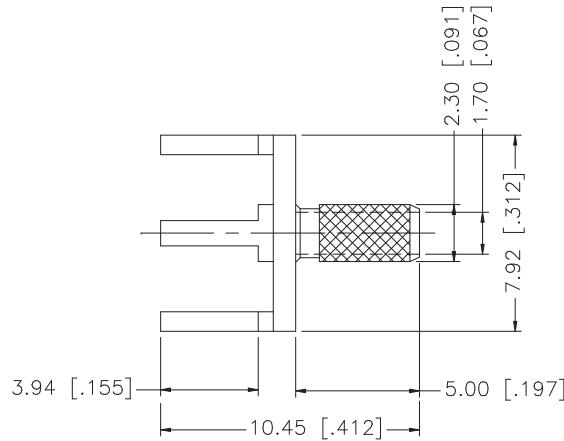
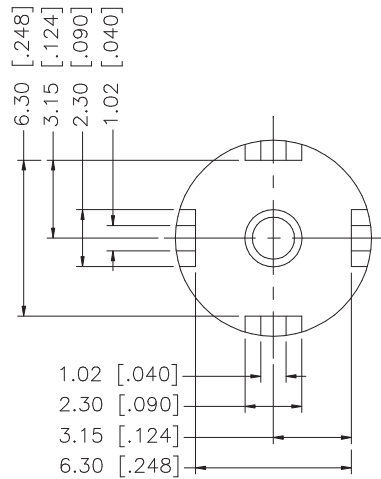
REV.	DATE	DESCRIPTION
A	06/05/03	UPDATE DRAWING FORMAT



PCB MOUNTING HOLES



RECOMMENDED CABLE STRIPPING DIM'S



NOTE:

1. CRIMPED FERRULE
HEX CRIMP SIZE .128"

REV.	DATE	DESCRIPTION
A	06/05/03	UPDATE DRAWING FORMAT
8		
7		
6		
5		
4		
3		
2	FERRULE	COPPER
1	BODY	BRASS
	FINISH	GOLD
	QTY	1
	DESCRIPTION	MATERIAL
		FINISH
		QTY
UNLESS OTHERWISE SPECIFIED DIMENSIONS ARE IN MILLIMETERS. DIMENSIONS IN [] ARE IN INCHES AND FOR CUSTOMER REFERENCE ONLY.		
UNLESS OTHERWISE SPECIFIED TOLERANCES FOR MILLIMETERS ARE: 0.5 - 8mm ± 0.20mm 8 - 30mm ± 0.40mm 30 - 120mm ± 0.50mm		
UNLESS OTHERWISE SPECIFIED TOLERANCES FOR INCHES ARE: .020 - .315 = ± 0.007" .315 - 1.180 = ± 0.015" 1.180 - 4.724 = ± 0.020"		
DO NOT SCALE DRAWING		
APPROVALS		DATE
DRAWN G.R.S.		06/05/03
CHECKED		
ISSUED		
SHEET 1 OF 1		
CAD FILE		C:/142/142200.DWG
PART DESCRIPTION		
PCB MOUNT CABLE TERMINAL (FOR RG-174/U, 188A/U, 316/U)		
PART NO. 142200		
DWG. NO.	142200.DWG	REV. A
SIZE	A	SCALE NA

Amphenol Connex