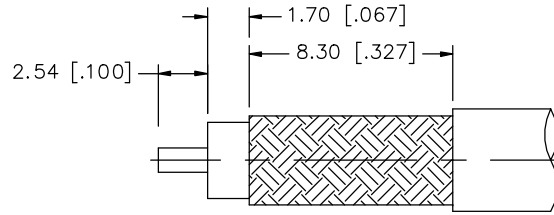
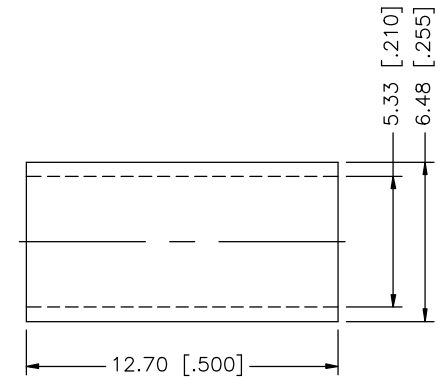
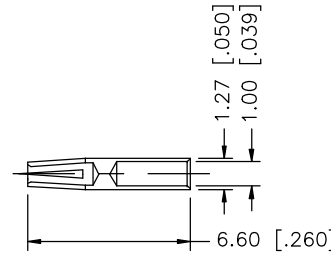
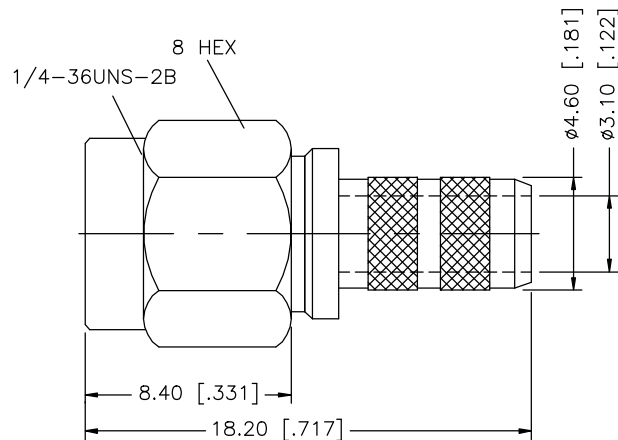


REV.	DATE	DESCRIPTION
NC	06/05/03	UPDATE DRAWING FORMAT



RECOMMENDED  
CABLE STRIPPING DIM'S



NOTE:

1. CRIMPED FERRULE  
HEX CRIMP SIZE .213"
2. CONTACT PIN TO SOLDER

8					<small>UNLESS OTHERWISE SPECIFIED DIMENSIONS ARE IN MILLIMETERS. DIMENSIONS IN [ ] ARE IN INCHES AND FOR CUSTOMER REFERENCE ONLY.</small>  <small>UNLESS OTHERWISE SPECIFIED TOLERANCES FOR MILLIMETERS ARE: 0.5 - 8mm ± 0.20mm 8 - 30mm ± 0.40mm 30 - 120mm ± 0.50mm</small>  <small>UNLESS OTHERWISE SPECIFIED TOLERANCES FOR INCHES ARE: .020 - .315 = ± 0.007" .315 - 1.180 = ± 0.015" 1.180 - 4.724 = ± 0.020"</small>	APPROVALS	DATE	<h1 style="color: blue;">Amphenol Connex</h1>						
7				DRAWN		G.R.S.	06/05/03		PART DESCRIPTION					
6				CHECKED						<b>SMA REVERSE POLARITY CRIMP PLUG (FOR RG-58C/U, 58/U CABLE)</b>				
5				ISSUED					PART NO.					
4	FERRULE	COPPER	GOLD	1		SHEET	1 OF 1			<b>132113RP</b>				
3	CONTACT PIN	BER. COPPER	GOLD	1		CAD FILE	C:/132/132113RP.DWG		DWG. NO.		132113RP.DWG	REV.	NC	SIZE
2	INSULATOR	TEFLON	NATURAL	1										
1	BODY	BRASS	GOLD	1										
				DO NOT SCALE DRAWING										