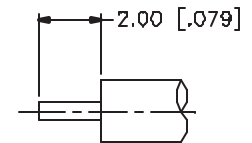
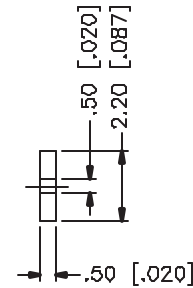
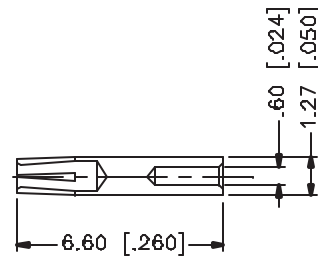
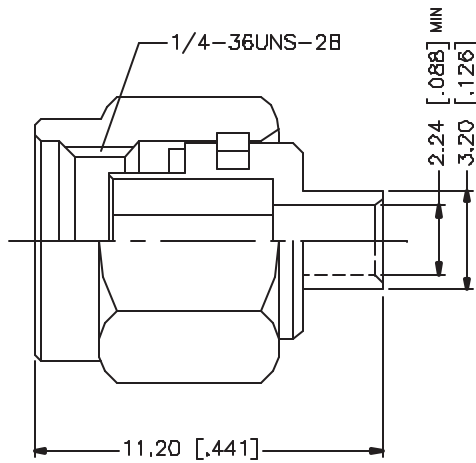


REV.	DATE	DESCRIPTION
NC	05/16/05	INITIAL RELEASE



RECOMMENDED CABLE STRIPPING DIMENSIONS

				UNLESS OTHERWISE SPECIFIED DIMENSIONS ARE IN MILLIMETERS, DIMENSIONS IN [] ARE IN INCHES AND FOR CUSTOMER REFERENCE ONLY.	APPROVALS	DATE	Amphenol Connex				
8					DRAWN	G.R.S.	05/16/05	PART DESCRIPTION SMA REVERSE POLARITY SEMI-RIGID PLUG (FOR .085", .086" CABLE)			
7					CHECKED						
6					ISSUED			PART NO. 132101RP			
5					SHEET	1 OF 1					
4	GASKET	SILICONE	RED	1				DWG. NO. 132101RP.DWG			
3	CONTACT PIN	BRASS	GOLD	1							
2	INSULATOR	TEFLON	NATURAL	1				SIZE A			
1	BODY	BRASS	GOLD	1							
DESCRIPTION				MATERIAL	FINISH	QTY					
				UNLESS OTHERWISE SPECIFIED TOLERANCES FOR MILLIMETERS ARE: 0.5 - 8mm ± 0.20mm 8 - 30mm ± 0.40mm 30 - 120mm ± 0.50mm UNLESS OTHERWISE SPECIFIED TOLERANCES FOR INCHES ARE: .020 - .315 = ± 0.007" .315 - 1.180 = ± 0.010" 1.180 - 4.724 = ± 0.020"				DO NOT SCALE DRAWING			
				CAD FILE C:/132/132101RP.DWG							