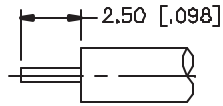
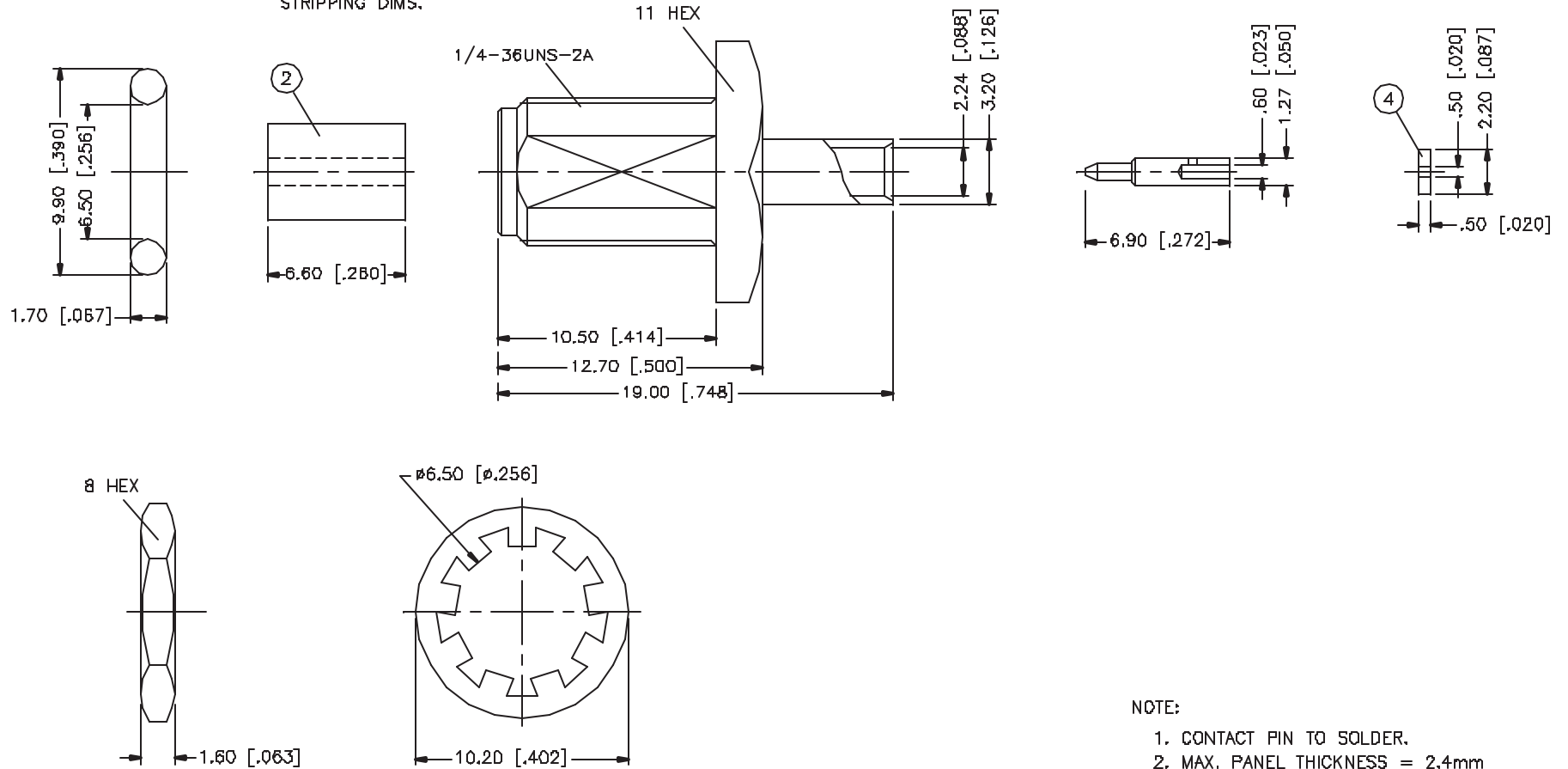


REV.	DATE	DESCRIPTION
NC	08/25/04	INITIAL RELEASE



RECOMMENDED CABLE STRIPPING DIMS.



NOTE:

- CONTACT PIN TO SOLDER.
- MAX. PANEL THICKNESS = 2.4mm

REV.	DATE	DESCRIPTION
NC	08/25/04	INITIAL RELEASE
8		
7	FERRULE	BRASS GOLD
6	LOCK WASHER	BRASS GOLD 1
5	GASKET	SILICONE RED 1
4	INSULATOR	TEFLON NATURAL 1
3	CONTACT PIN	BRASS GOLD 1
2	INSULATOR	TEFLON NATURAL 1
1	BODY	BRASS GOLD 1
	DESCRIPTION	MATERIAL FINISH QTY

UNLESS OTHERWISE SPECIFIED DIMENSIONS ARE IN MILLIMETERS. DIMENSIONS IN [ ] ARE IN INCHES AND FOR CUSTOMER REFERENCE ONLY.

UNLESS OTHERWISE SPECIFIED TOLERANCES FOR MILLIMETERS ARE:  
0.5 - 3mm ± 0.20mm  
3 - 30mm ± 0.40mm  
30 - 120mm ± 0.50mm

UNLESS OTHERWISE SPECIFIED TOLERANCES FOR INCHES ARE:  
.020 - .315 = ± 0.007"  
.315 - 1.180 = ± 0.015"  
1.180 - 4.724 = ± 0.020"

DO NOT SCALE DRAWING

APPROVALS

DRAWN G.R.S.

CHECKED

ISSUED

SHEET 1 OF 1

CAD FILE C:/132/132105RP.DWG

DATE

08/25/04

# Amphenol Connex

**SMA DIRECT SOLDER BULKHEAD JACK  
(FOR .085", .086" REVERSE POLARITY)**

PART NO. 132105RP

DWG. NO. 132105RP.DWG

REV. NC

SIZE A

SCALE NA