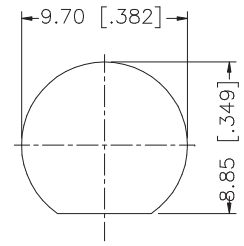
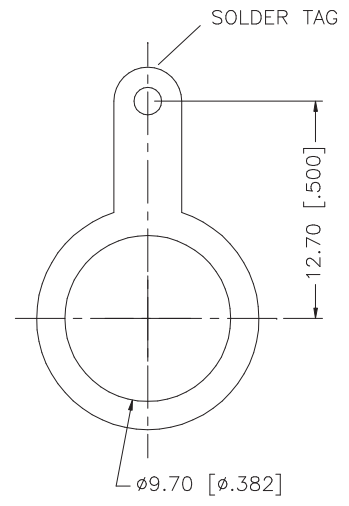
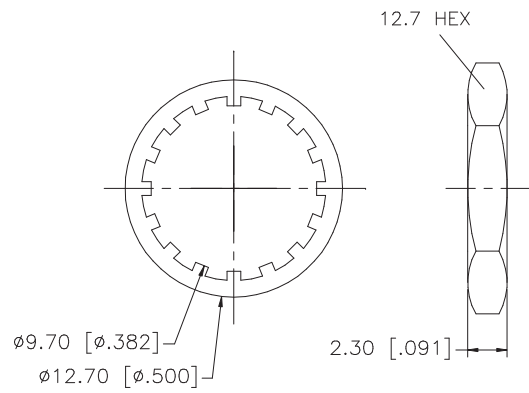
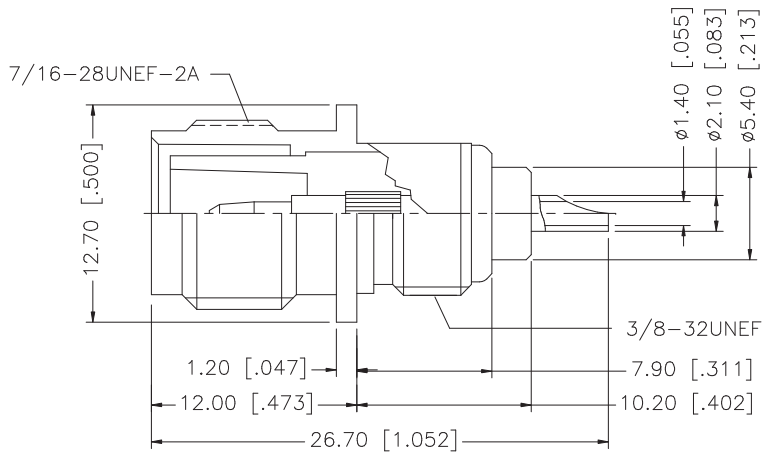


REV.	DATE	DESCRIPTION
A	02/21/06	UPDATE DRAWING FORMAT



RECOMMENDED MOUNTING HOLE

NOTE:  
1. MAX. PANEL THICKNESS = 3.2mm

QTY	DESCRIPTION	MATERIAL	FINISH	QTY	DO NOT SCALE DRAWING	APPROVALS	DATE	PART DESCRIPTION							
8					<small>UNLESS OTHERWISE SPECIFIED DIMENSIONS ARE IN MILLIMETERS. DIMENSIONS IN [ ] ARE IN INCHES AND FOR CUSTOMER REFERENCE ONLY.</small>  <small>UNLESS OTHERWISE SPECIFIED TOLERANCES FOR MILLIMETERS ARE:</small> 0.5 - 8mm ± 0.20mm 8 - 30mm ± 0.40mm 30 - 120mm ± 0.50mm  <small>UNLESS OTHERWISE SPECIFIED TOLERANCES FOR INCHES ARE:</small> .020 - .315 = ± 0.007" .315 - 1.180 = ± 0.015" 1.180 - 4.724 = ± 0.020"	DRAWN	G.R.S.	02/21/06	<h1 style="text-align: center;">Amphenol Connex</h1> <h2 style="text-align: center;">TNC REVERSE POLARITY BULKHEAD RECEPTACLE JACK</h2>						
7				CHECKED				PART NO. <b>122332RP</b>							
6	SOLDER TAB	BRASS	NICKEL	1		ISSUED								DWG. NO. 122332RP.DWG	
5	HEX NUT	BRASS	NICKEL	1		SHEET	1 OF 1		REV.	A	SIZE	A	SCALE		
4	LOCK WASHER	BRASS	NICKEL	1											
3	CONTACT PIN	PHOS. BRONZE	GOLD	1											
2	INSULATOR	DELTRIN	NATURAL	1											
1	BODY	BRASS	NICKEL	1											
						CAD FILE	C:/122/122332RP.DWG								