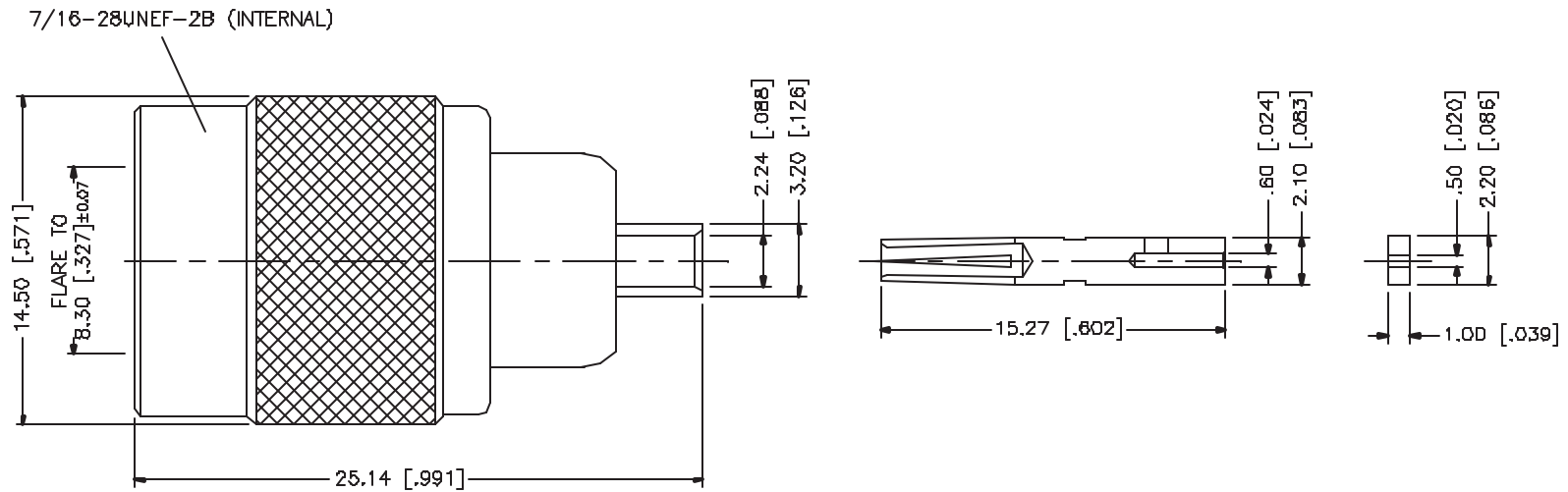
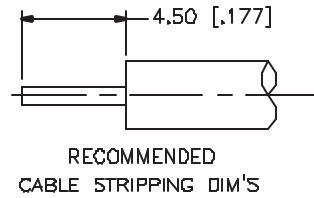


REV.	DATE	DESCRIPTION
A	05/01/04	UPDATE DRAWING FORMAT



NOTE:
1. CRIMPED CONTACT PIN
HEX CRIMP SIZE .068"

				APPROVALS	DATE	<h1 style="text-align: center;">Amphenol Connex</h1>					
8				DRAWN	G.R.S.					05/01/04	PART DESCRIPTION TNC REVERSE POLARITY DIRECT SOLDER PLUG
7				CHECKED			PART NO. 122387RP				
6				ISSUED							DWS. NO. 122387RP.DWG REV. A SIZE A SCALE NA
5				SHEET	1 OF 1		DESCRIPTION MATERIAL FINISH QTY DO NOT SCALE DRAWING				
4	INSULATOR	TEFLON	NATURAL	1							
3	CONTACT PIN	PHOS. BRONZE	GOLD	1							
2	INSULATOR	TEFLON	NATURAL	1							
1	BODY	BRASS	NICKEL	1							
				CAD FILE		C:/122/122387RP.DWG					

UNLESS OTHERWISE SPECIFIED DIMENSIONS ARE IN MILLIMETERS. DIMENSIONS IN [] ARE IN INCHES AND FOR CUSTOMER REFERENCE ONLY.

UNLESS OTHERWISE SPECIFIED TOLERANCES FOR MILLIMETERS ARE:
 0.6 - 8mm ± 0.20mm
 8 - 30mm ± 0.40mm
 30 - 120mm ± 0.50mm

UNLESS OTHERWISE SPECIFIED TOLERANCES FOR INCHES ARE:
 .020 - .315 = ± 0.007"
 .315 - 1.180 = ± 0.015"
 1.180 - 4.724 = ± 0.020"