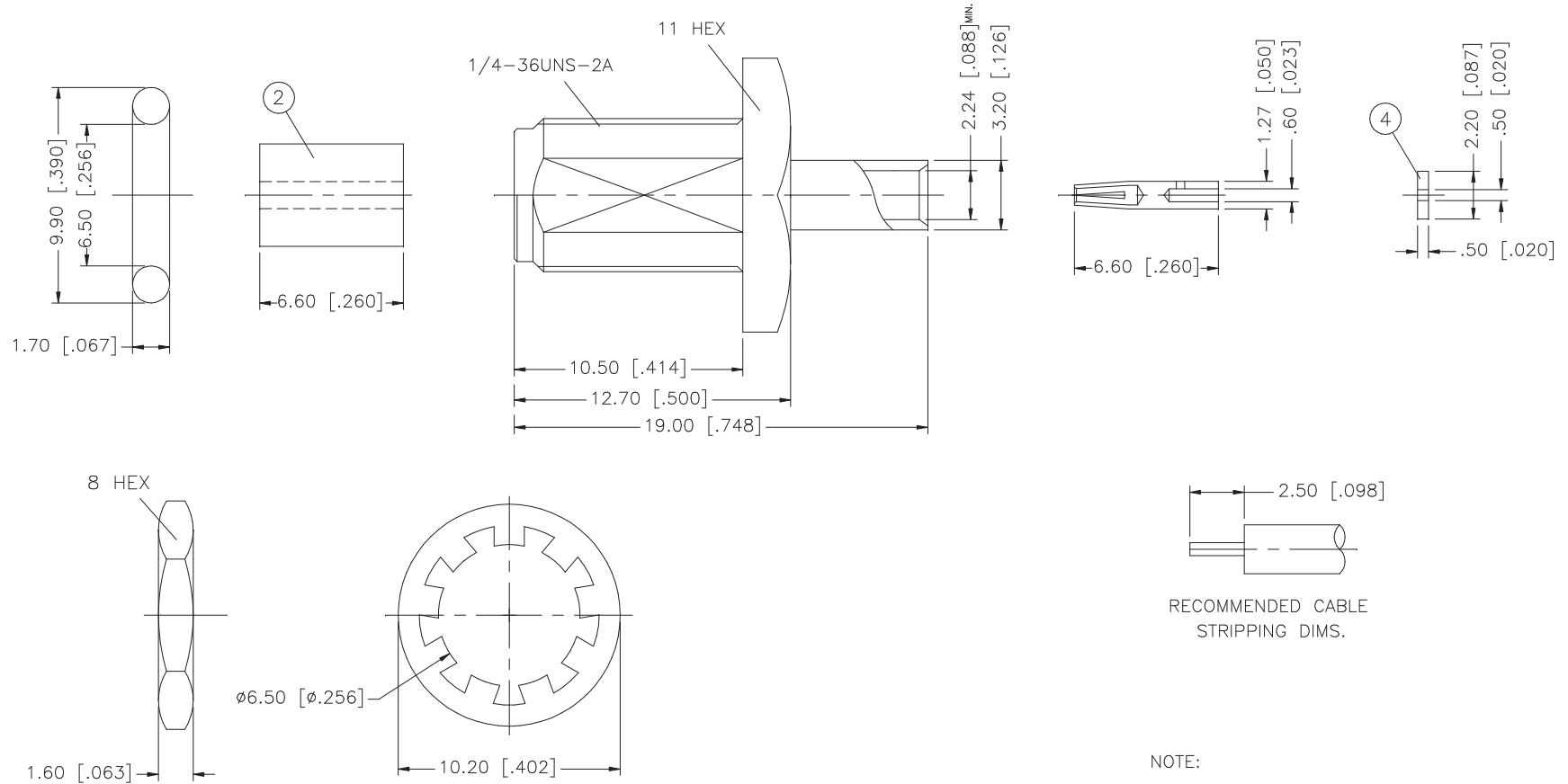


REV.	DATE	DESCRIPTION
B	01/12/98	ADD INSULATOR/ STRIPPING DIM'S
C	02/11/99	MODIFY 'O'-RING DIMENSIONS
D	01/29/03	UPDATE DRAWING FORMAT



NOTE:

- CONTACT PIN TO SOLDER
- MAX. PANEL THICKNESS = 2.4mm

REV.	DESCRIPTION	MATERIAL	FINISH	QTY	APPROVALS	DATE	PART DESCRIPTION				
8							<h1 style="text-align: center;">Amphenol Connex</h1> <p style="text-align: center;">SMA DIRECT SOLDER BULKHEAD JACK (FOR .085", .086" SEMI-RIGID CABLE)</p> <p style="text-align: center;">132105</p>				
7	FERRULE	BRASS	GOLD		DRAWN	G.R.S.					01/29/03
6	LOCK WASHER	BRASS	GOLD	1	CHECKED						
5	GASKET	SILICONE	RED	1	ISSUED						
4	INSULATOR	TEFLON	NATURAL	1	SHEET	1 OF 1					
3	CONTACT PIN	BER. COPPER	GOLD	1							
2	INSULATOR	TEFLON	NATURAL	1							
1	BODY	BRASS	GOLD	1							
<small>UNLESS OTHERWISE SPECIFIED DIMENSIONS ARE IN MILLIMETERS. DIMENSIONS IN [] ARE IN INCHES AND FOR CUSTOMER REFERENCE ONLY.</small> <small>UNLESS OTHERWISE SPECIFIED TOLERANCES FOR MILLIMETERS ARE: 0.5 - 8mm ± 0.20mm 8 - 30mm ± 0.40mm 30 - 120mm ± 0.50mm</small> <small>UNLESS OTHERWISE SPECIFIED TOLERANCES FOR INCHES ARE: .020 - .315 = ± 0.007" .315 - 1.180 = ± 0.015" 1.180 - 4.724 = ± 0.020"</small>					<small>CAD FILE</small> C:/132/132105.DWG		<small>DWG. NO.</small> 132105.DWG	<small>REV.</small> D	<small>SIZE</small> A	<small>SCALE</small> NA	
<small>DO NOT SCALE DRAWING</small>											