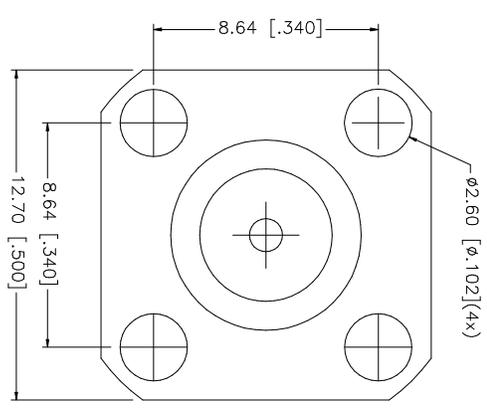
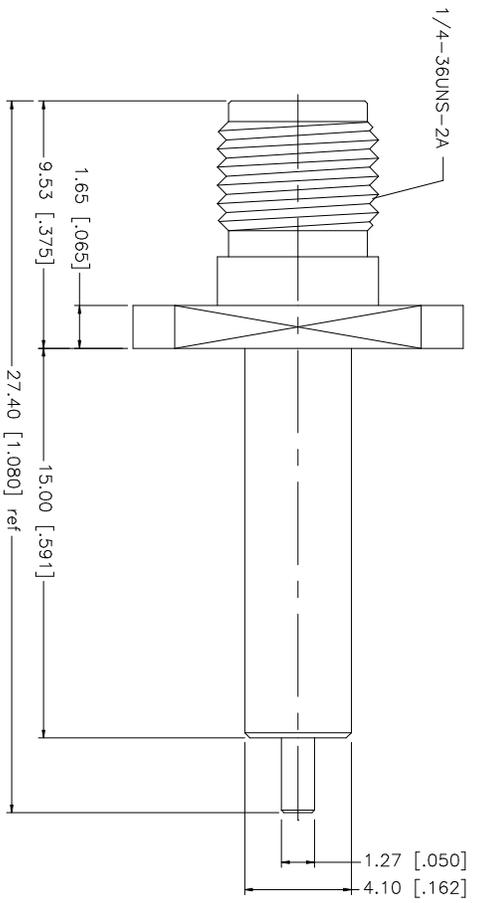


REV.	DATE	DESCRIPTION
A	01/25/04	MODIFY INSULATOR/UPDATE DRAWING FORMAT



QTY	FINISH	MATERIAL	DESCRIPTION
2	NATURAL	TEFLON	INSULATOR
1	GOLD	BER. COPPER	CONTACT PIN
1	GOLD	BRASS	HOUSING/BODY
			DESCRIPTION

UNLESS OTHERWISE SPECIFIED DIMENSIONS ARE IN MILLIMETERS (INCHES ARE GIVEN IN PARENTHESES)	UNLESS OTHERWISE SPECIFIED DIMENSIONS ARE IN INCHES (MILLIMETERS ARE GIVEN IN PARENTHESES)
TOLERANCES FOR MILLIMETERS ARE:	TOLERANCES FOR INCHES ARE:
0.5 - 8mm ± 0.20mm	.020 - .315 = ± 0.007"
8 - 30mm ± 0.40mm	.315 - 1.180 = ± 0.015"
30 - 120mm ± 0.50mm	1.180 - 4.724 = ± 0.020"

APPROVALS	DATE
DRAWN G.R.S.	01/25/04
CHECKED	
ISSUED	
SHEET 1 OF 1	

PART NO.	PART DESCRIPTION
132146	SMA FOUR (4) HOLE PANEL RECEPTACLE

CAD FILE	DWG. NO.	REV.	SIZE	SCALE
C:/132/132146.DWG	132146.DWG	A	A	NA

Amphenol Connex