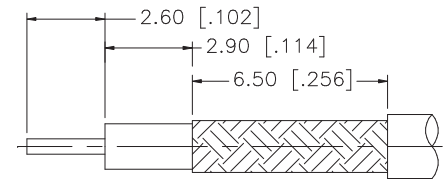
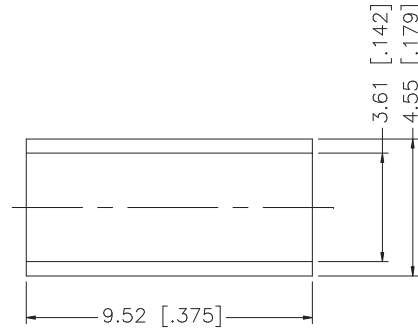
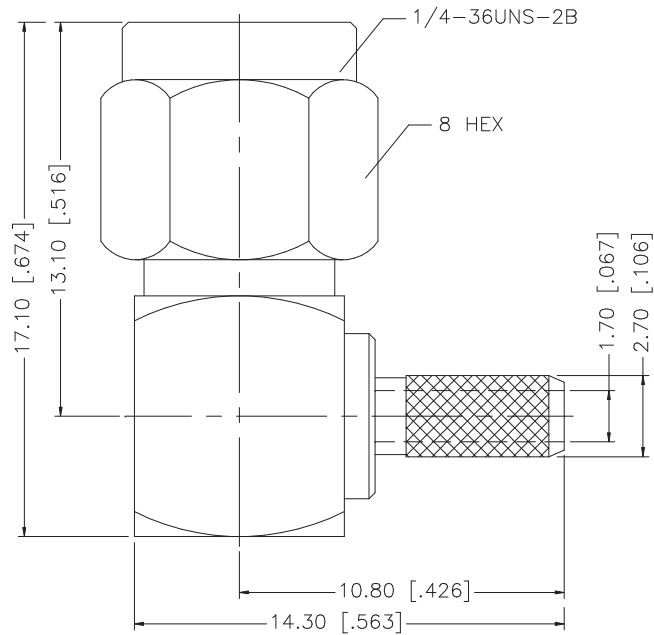
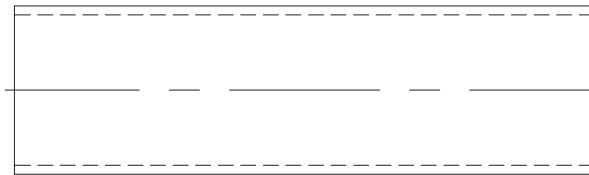
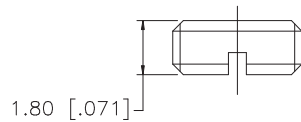


REV.	DATE	DESCRIPTION
C	02/18/03	UPDATE DRAWING FORMAT
D	07/31/05	ADD "DOUBLE BRAID CABLE" TO DESCRIPTION



RECOMMENDED
CABLE STRIPPING DIM'S



- NOTE:
1. CRIMPED FERRULE
HEX CRIMP SIZE .151"
 2. CONTACT PIN TO SOLDER

QTY	DESCRIPTION	MATERIAL	FINISH	QTY	DO NOT SCALE DRAWING	APPROVALS	DATE	PART DESCRIPTION				
1	HEAT SHRINK TUBE		BLACK	1	<small>UNLESS OTHERWISE SPECIFIED DIMENSIONS ARE IN MILLIMETERS, DIMENSIONS IN [] ARE IN INCHES AND FOR CUSTOMER REFERENCE ONLY.</small> <small>UNLESS OTHERWISE SPECIFIED TOLERANCES FOR MILLIMETERS ARE:</small> 0.5 - 8mm ± 0.20mm 8 - 30mm ± 0.40mm 30 - 120mm ± 0.50mm <small>UNLESS OTHERWISE SPECIFIED TOLERANCES FOR INCHES ARE:</small> .020 - .315 = ± 0.007" .315 - 1.180 = ± 0.015" 1.180 - 4.724 = ± 0.020"	APPROVALS	DATE	<h1 style="text-align: center;">Amphenol Connex</h1>				
1	FERRULE	COPPER	GOLD	1		DRAWN	G.R.S.					07/31/05
1	COVER	BRASS	GOLD	1		CHECKED			PART NO. 132182			
1	GASKET	SILICONE	RED	1		ISSUED						
1	RETAINER RING	BER. COPPER	NATURAL	1		SHEET	1 OF 1		DWG. NO. 132182.DWG			
1	CONTACT PIN	BRASS	GOLD	1								
1	INSULATOR	TEFLON	NATURAL	1								
1	HOUSING/BODY	BRASS	GOLD	1								
						CAD FILE	C:/132/132182.DWG					