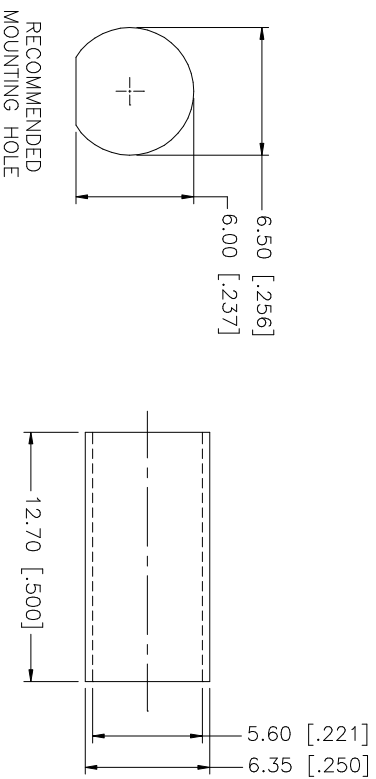
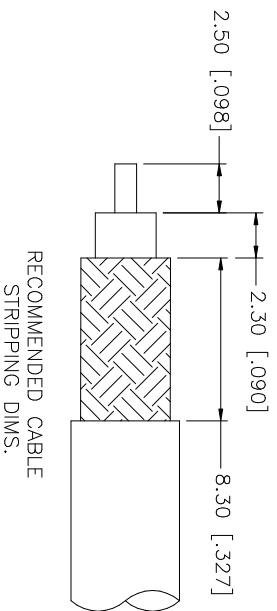
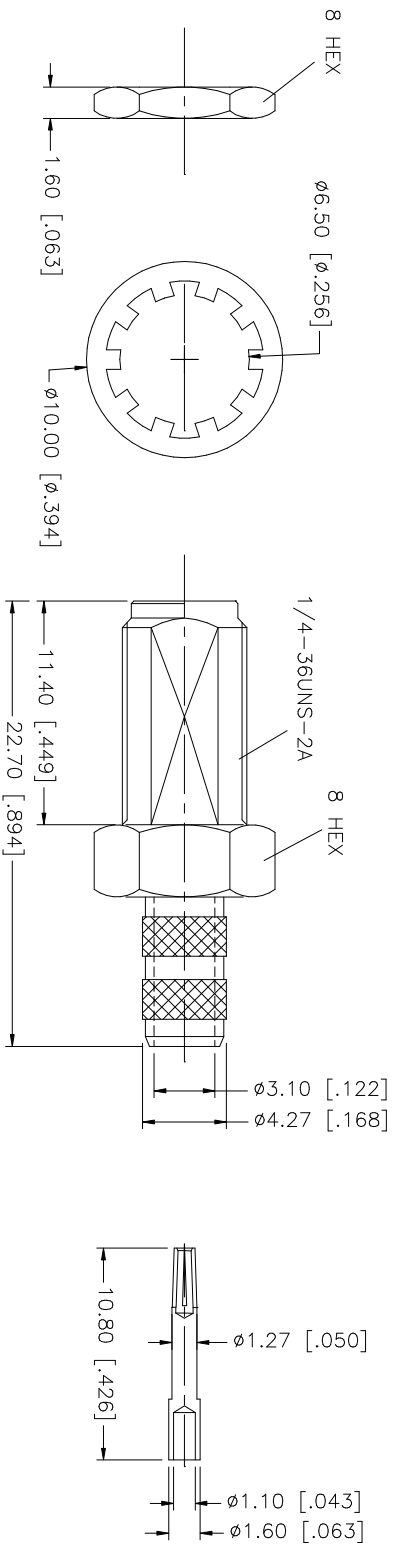


REV.	DATE	DESCRIPTION
NC	02/13/98	INITIAL RELEASE
A	05/01/04	UPDATE DRAWING FORMAT
B	06/25/05	ADD CABLE CALL OUT IN DESCRIPTION



8																							
8																							
7	FERRULE	COPPER	GOLD																				
6	HEX NUT	BRASS	GOLD																				
5	LOCK WASHER	BRASS	GOLD																				
4	CONTACT PIN	BER. COPPER	GOLD																				
3	INSULATOR	TEFLON	NATURAL																				
2	BODY	BRASS	GOLD																				
1	DESCRIPTION	MATERIAL	FINISH	QTY	UNLESS OTHERWISE SPECIFIED DIMENSIONS ARE IN INCHES AND FOR CUSTOMER REFERENCE ONLY.																		
					UNLESS OTHERWISE SPECIFIED DIMENSIONS ARE IN MILLIMETERS AND FOR CUSTOMER REFERENCE ONLY.																		
					UNLESS OTHERWISE SPECIFIED TOLERANCES FOR MILLIMETERS ARE:																		
					0.5 - 8mm \pm 0.20mm																		
					8 - 30mm \pm 0.40mm																		
					30 - 120mm \pm 0.50mm																		
					UNLESS OTHERWISE SPECIFIED TOLERANCES FOR INCHES ARE:																		
					.020 - .315 = \pm 0.007"																		
					.315 - 1.180 = \pm 0.015"																		
					1.180 - 4.724 = \pm 0.020"																		
					DO NOT SCALE DRAWING																		
					APPROVALS		DATE		PART DESCRIPTION														
					DRAWN G.R.S.		06/25/05		SMA BULKHEAD CRIMP JACK														
					CHECKED				(FOR RG-55, 142, 223, 400/U CABLE)														
					ISSUED				PART NO. 132191														
					SHEET 1 OF 1				DWG. NO. 132191.DWG														
					CAD FILE C:/132/132191.DWG				REV. B SIZE A SCALE NA														

Amphenol Connex