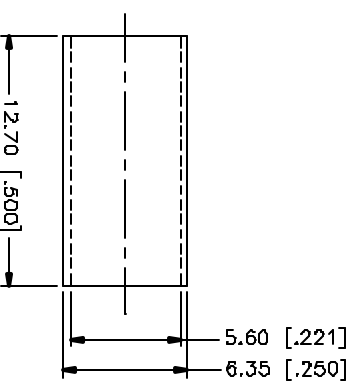
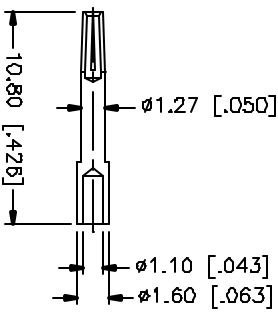
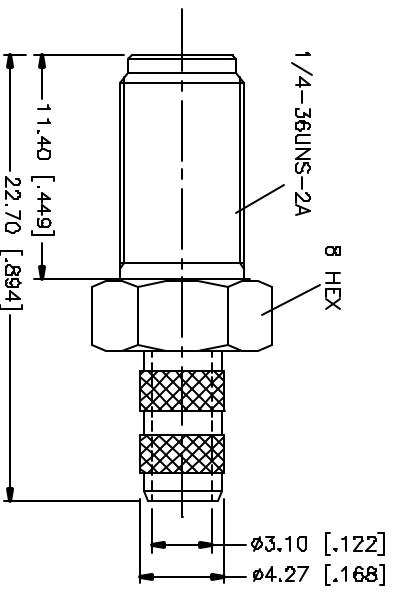
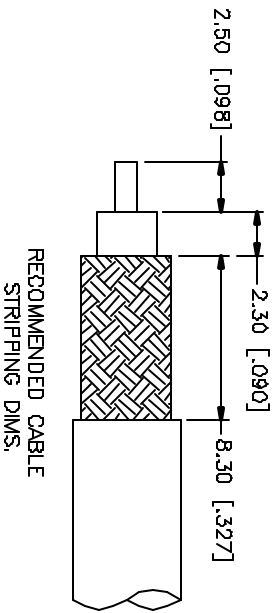


REV.	DATE	DESCRIPTION
NC	02/13/98	INITIAL RELEASE
A	05/01/04	UPDATE DRAWING FORMAT



ALL DIMENSIONS SHOWN ARE UNLESS NOTED OTHERWISE. DIMENSIONS FOR MILLIMETER ARE .020 - .315 = ± 0.007" .315 - 1.180 = ± 0.015" 1.180 - 4.724 = ± 0.020"

APPROVALS	DATE
DRAWN G.R.S.	05/01/04
CHECKED	
ISSUED	
BIBET 1 OF 1	

Amphenol Connex

PART DESCRIPTION
SMA CRIMP JACK
(FOR 223/U CABLE)

PART NO. 132197

DWG. NO. 132197.DWG REV. A SIZE A SCALE NA

QTY	FINISH	MATERIAL	DESCRIPTION
1	GOLD	COPPER	FERRULE
1	GOLD	BER. COPPER	CONTACT PIN
1	NATURAL	TEFLON	INSULATOR
1	GOLD	BRASS	BODY

UNLESS OTHERWISE SPECIFIED, DIMENSIONS ARE IN INCHES AND DECIMALS THEREOF. DIMENSIONS FOR MILLIMETER ARE .020 - .315 = ± 0.007" .315 - 1.180 = ± 0.015" 1.180 - 4.724 = ± 0.020"

DD	NOT	SCALE	DRAWING