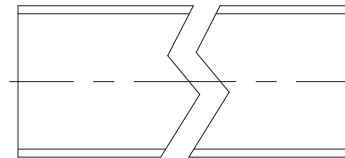
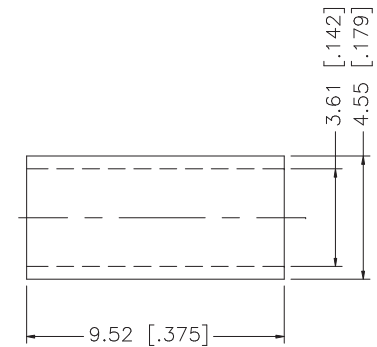
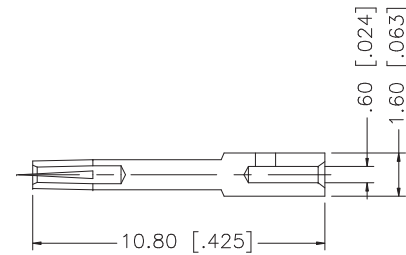
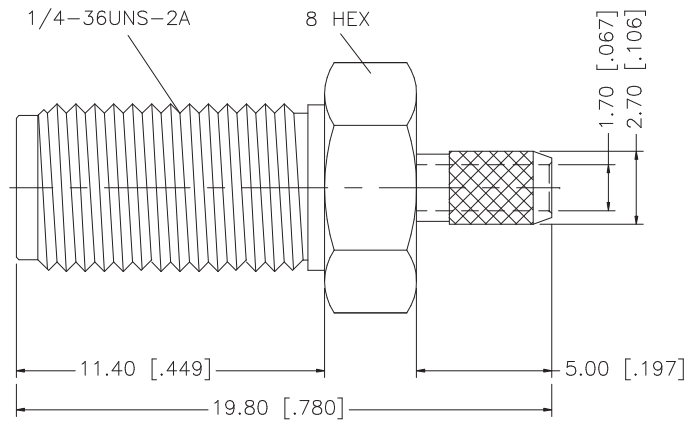
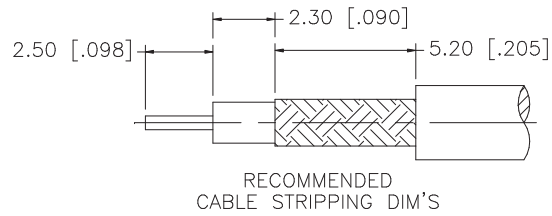


REV.	DATE	DESCRIPTION
A-1	01/25/04	UPDATE DRAWING FORMAT



NOTE:

1. CRIMPED FERRULE  
HEX CRIMP SIZE .151"
2. CONTACT PIN TO SOLDER
3. MAX. PANEL THICKNESS = 3.2mm

QTY	DESCRIPTION	MATERIAL	FINISH	DO NOT SCALE DRAWING	APPROVALS	DATE	<h1 style="color: blue;">Amphenol Connex</h1>
8					DRAWN	G.R.S.	
7					CHECKED		<b>PART DESCRIPTION</b> SMA STRAIGHT CRIMP JACK (FOR RG-316/U DOUBLE BRAID CABLE)
6					ISSUED		
5	HEAT SHRINK TUBING		BLACK	1	SHEET	1 OF 1	<b>PART NO.</b> 132198
4	FERRULE	COPPER	GOLD	1			
3	CONTACT PIN	BER. COPPER	GOLD	1			<b>DWG. NO.</b> 132198.DWG
2	INSULATOR	TEFLON	NATURAL	1			
1	BODY	BRASS	GOLD	1			<b>REV.</b> A-1 <b>SIZE</b> A <b>SCALE</b> NA

UNLESS OTHERWISE SPECIFIED DIMENSIONS ARE IN MILLIMETERS. DIMENSIONS IN [ ] ARE IN INCHES AND FOR CUSTOMER REFERENCE ONLY.

UNLESS OTHERWISE SPECIFIED TOLERANCES FOR MILLIMETERS ARE:  
 0.5 - 8mm ± 0.20mm  
 8 - 30mm ± 0.40mm  
 30 - 120mm ± 0.50mm

UNLESS OTHERWISE SPECIFIED TOLERANCES FOR INCHES ARE:  
 .020 - .315 = ± 0.007"  
 .315 - 1.180 = ± 0.015"  
 1.180 - 4.724 = ± 0.020"

CAD FILE C:/132/132198.DWG