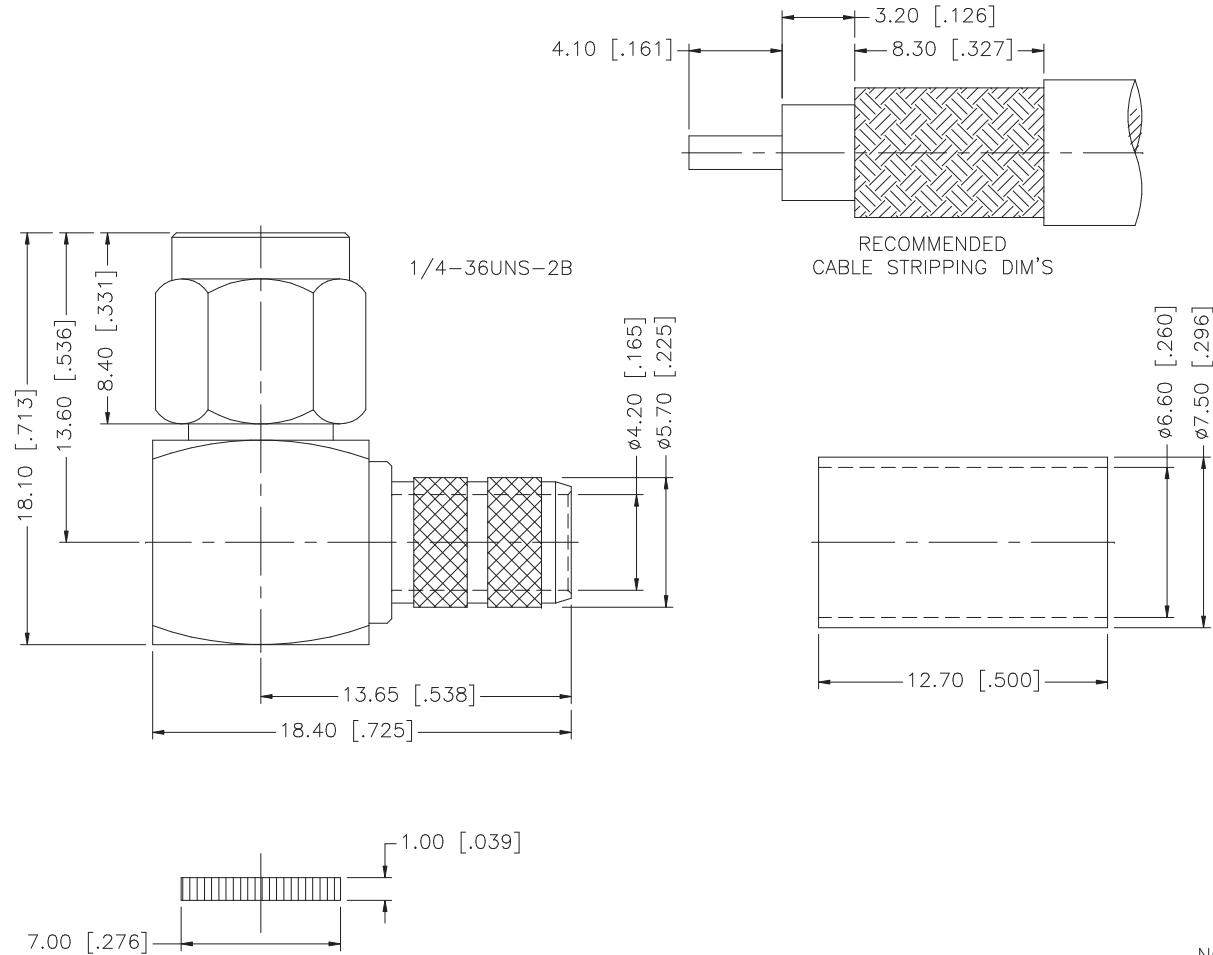


REV.	DATE	DESCRIPTION
A	01/25/04	UPDATE DRAWING FORMAT



NOTE:
1. CRIMPED FERRULE
HEX CRIMP SIZE .255"

REV.	DATE	DESCRIPTION
A	01/25/04	UPDATE DRAWING FORMAT
8		
7		
6		
5	FERRULE	COPPER
4	COVER	BRASS
3	CONTACT PIN	BRASS
2	INSULATOR	TEFLON
1	BODY	BRASS
	DESCRIPTION	MATERIAL
		FINISH
		QTY
UNLESS OTHERWISE SPECIFIED DIMENSIONS ARE IN MILLIMETERS. DIMENSIONS IN [] ARE IN INCHES AND FOR CUSTOMER REFERENCE ONLY.		
UNLESS OTHERWISE SPECIFIED TOLERANCES FOR MILLIMETERS ARE: 0.5 - 8mm \pm 0.20mm 8 - 30mm \pm 0.40mm 30 - 120mm \pm 0.50mm		
UNLESS OTHERWISE SPECIFIED TOLERANCES FOR INCHES ARE: .020 - .315 = \pm 0.007" .315 - 1.180 = \pm 0.015" 1.180 - 4.724 = \pm 0.020"		
DO NOT SCALE DRAWING		
APPROVALS	DATE	
DRAWN G.R.S.	01/25/04	
CHECKED		PART DESCRIPTION
ISSUED		SMA R/A CRIMP PLUG (FOR RG-8X, LMR-240)
SHEET 1 OF 1		PART NO.
		132239
CAD FILE		DWG. NO.
C:/132/132239.DWG		132239.DWG
	REV. A	SIZE A
		SCALE NA

Amphenol Connex