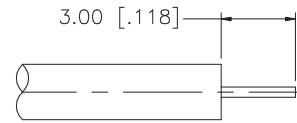
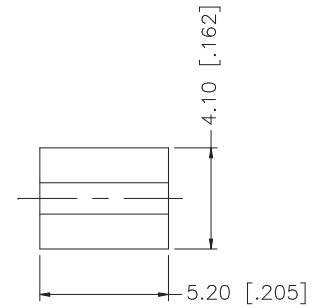
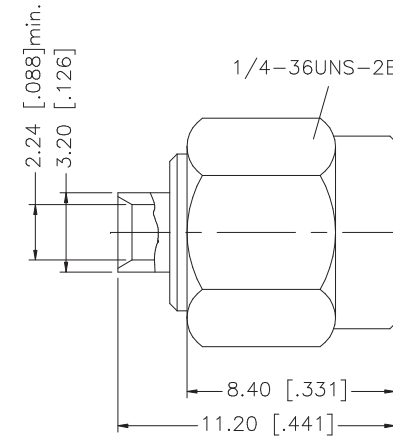
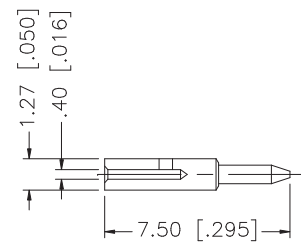
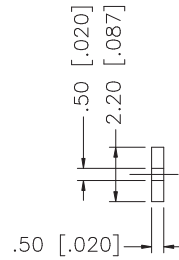
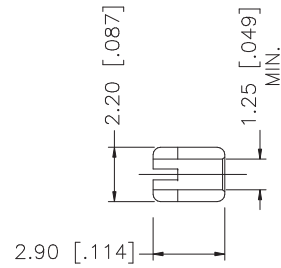


REV.	DATE	DESCRIPTION
A	04/31/03	UPDATE DRAWING FORMAT



RECOMMENDED
CABLE STRIPPING DIM'S



8					<small>UNLESS OTHERWISE SPECIFIED DIMENSIONS ARE IN MILLIMETERS. DIMENSIONS IN [] ARE IN INCHES AND FOR CUSTOMER REFERENCE ONLY.</small> <small>UNLESS OTHERWISE SPECIFIED TOLERANCES FOR MILLIMETERS ARE:</small> 0.5 - 8mm ± 0.20mm 8 - 30mm ± 0.40mm 30 - 120mm ± 0.50mm <small>UNLESS OTHERWISE SPECIFIED TOLERANCES FOR INCHES ARE:</small> .020 - .315 = ± 0.007" .315 - 1.180 = ± 0.015" 1.180 - 4.724 = ± 0.020"	APPROVALS	DATE	<h1 style="text-align: center;">Amphenol Connex</h1>			
7						DRAWN	G.R.S.				04/31/03
6						CHECKED			PART DESCRIPTION <h2 style="text-align: center;">SMA DIRECT SOLDER PLUG (FOR .047" SEMI-RIGID CABLE)</h2>		
5						ISSUED					
4	SOLDER BARREL	BRASS	GOLD	1		SHEET	1 OF 1		PART NO. <h2 style="text-align: center;">132249</h2>		
3	CONTACT PIN	BRASS	GOLD	1							
2	INSULATOR	TEFLON	NATURAL	1				DWG. NO. 132249.DWG			
1	BODY	BRASS	GOLD	1							REV. A
	DESCRIPTION	MATERIAL	FINISH	QTY	DO NOT SCALE DRAWING		CAD FILE C:/132/132249.DWG				