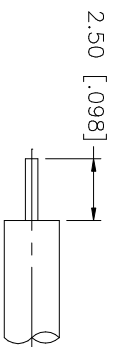
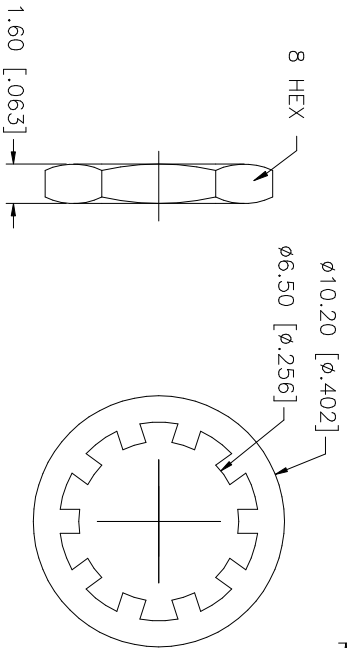
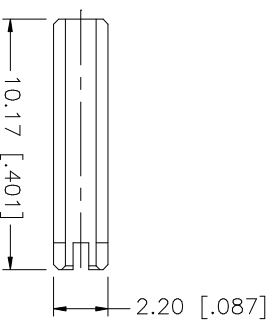
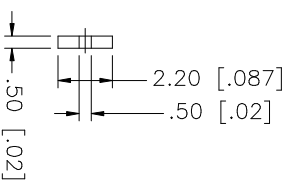
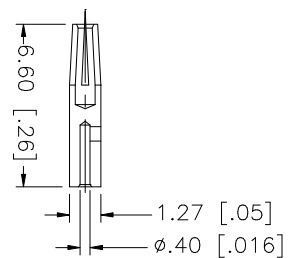
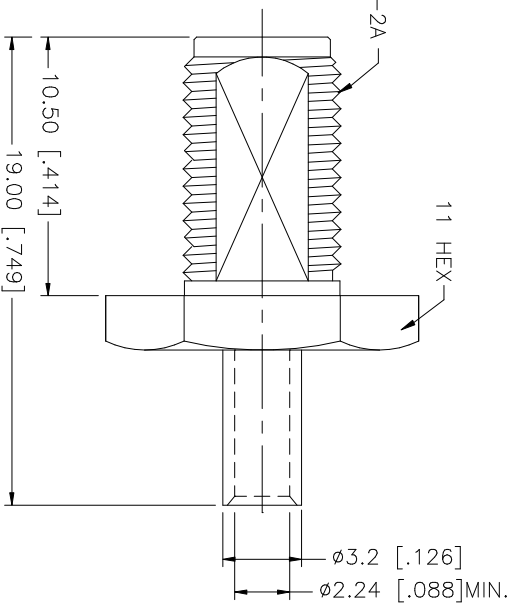
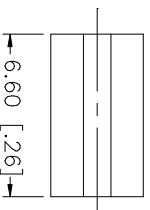
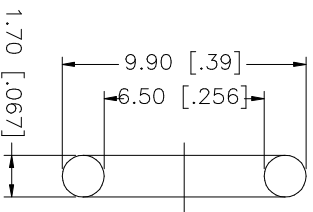


REV.	DATE	DESCRIPTION
A	11/12/03	MODIFY BODY LENGTH



RECOMMENDED
CABLE STRIPPING DIM'S



NOTES:

1. CONTACT PIN TO SOLDER
2. MAX. PANEL THICKNESS = 2.4mm

QTY	FINISH	MATERIAL	DESCRIPTION
1	GOLD	BRASS	8
1	GOLD	BRASS	7
1	GOLD	BRASS	6
1	GOLD	BRASS	5
1	RED	SILICONE	4
1	GOLD	BER. COPPER	3
1	NATURAL	TEFLON	2
1	GOLD	BRASS	1

UNLESS OTHERWISE SPECIFIED DIMENSIONS ARE IN MILLIMETERS. DIMENSIONS IN [] ARE IN INCHES AND FOR CUSTOMER REFERENCE ONLY.	UNLESS OTHERWISE SPECIFIED TOLERANCES FOR MILLIMETERS ARE:	UNLESS OTHERWISE SPECIFIED TOLERANCES FOR INCHES ARE:
0.5 - 8mm ± 0.20mm	8 - 30mm ± 0.40mm	30 - 120mm ± 0.50mm
.020 - .315 ± 0.007"	.315 - 1.180 ± 0.015"	1.180 - 4.724 ± 0.020"

APPROVALS	DATE
DRAWN G.R.S.	11/12/03
CHECKED	
ISSUED	
SHEET 1 OF 1	

PART DESCRIPTION	PART NO.
SMA DIRECT SOLDER BULKHEAD JACK (FOR .047" SEMI RIGID CABLE)	132251

CAD FILE	DWG. NO.	REV.	SIZE	SCALE
C:/132/132251.DWG	132251.DWG	A	A	NA

Amphenol Connex