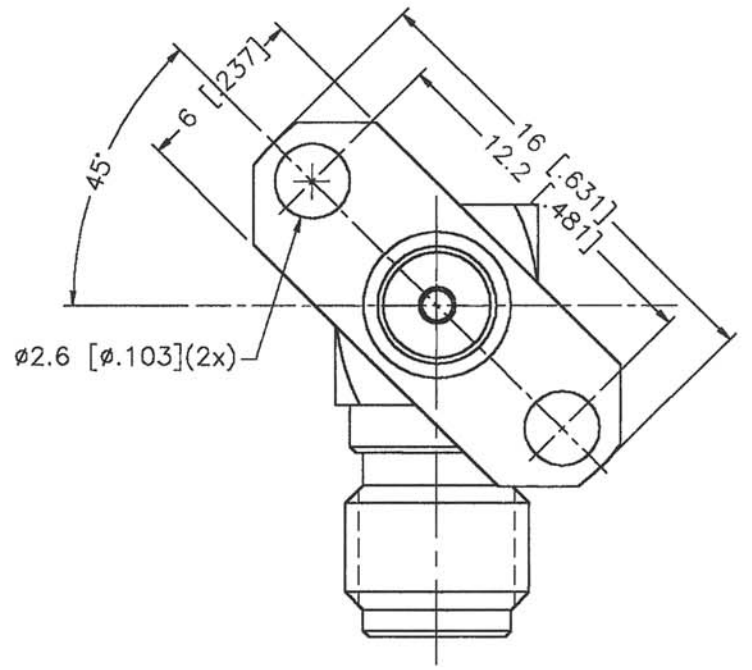
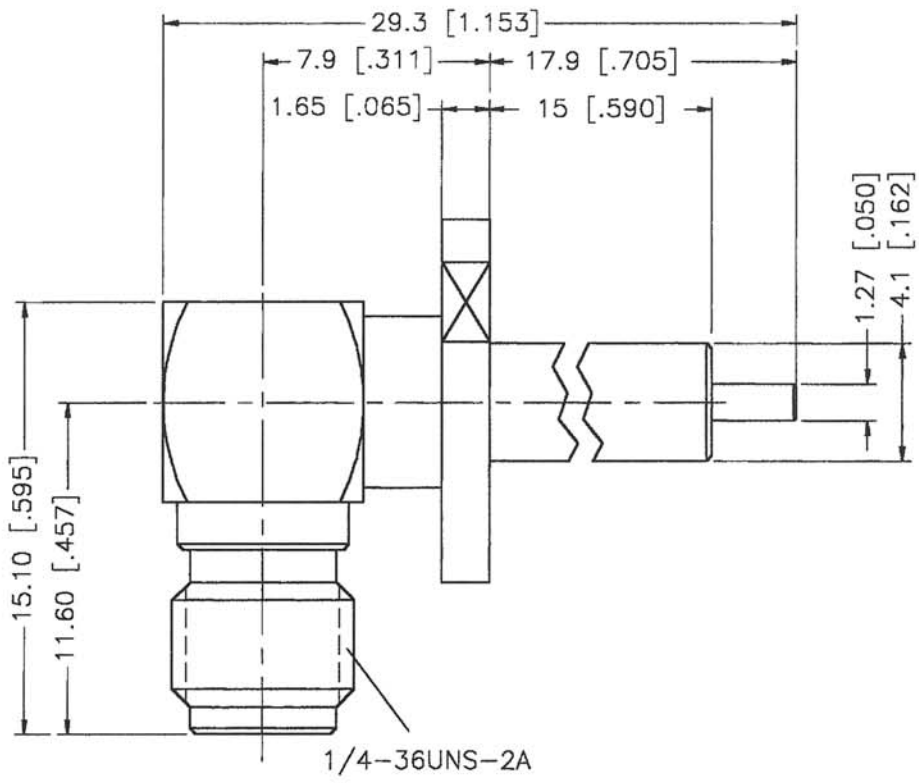


REV.	DATE	DESCRIPTION
NC	09/28/99	INITIAL RELEASE



DESCRIPTION	MATERIAL	FINISH	UNLESS OTHERWISE SPECIFIED DIMENSIONS ARE IN MILLIMETERS	APPROVALS	DATE						
1 HOUSING	BRASS	GOLD	<small>DIMENSIONS IN [ ] ARE IN INCHES FOR CUSTOMER REFERENCE ONLY</small> <small>UNLESS OTHERWISE SPECIFIED TOLERANCES FOR MILLIMETERS ARE:</small> 0.5-6 = ± 0.2 6-30 = ± 0.4 30-120 = ± 0.6 120-315 = ± 1 315-1000 = ± 1.6 1000-2000 = ± 2.4	DRAWN	G.R.S.	09/28/99	TITLE SMA R/A 2-HOLE VERTICAL FLANGE RECEPTACLE (EXTENDED TEFLON)				
2 INSULATOR	TEFLON	NATURAL		CHECKED			SIZE	FSCM NO.	DWG. NO.	REV.	
3 CONTACT PIN	BER. COPPER	GOLD		ISSUED			A	99001	132276.DWG	NC	
4 COVER	BRASS	GOLD		DO NOT SCALE DRAWING			SCALE	NA	PART NO.	132276	SHEET