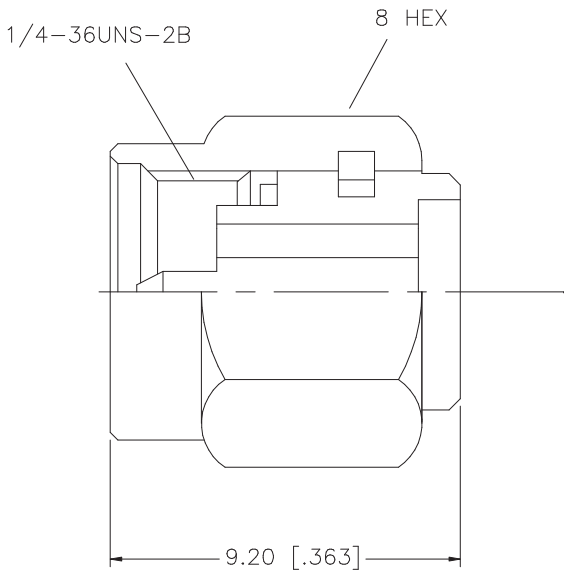


REV.	DATE	DESCRIPTION
NC	05/31/01	INITIAL RELEASE
A	07/25/05	UPDATE DRAWING FORMAT



8				<small>UNLESS OTHERWISE SPECIFIED DIMENSIONS ARE IN MILLIMETERS. DIMENSIONS IN [] ARE IN INCHES AND FOR CUSTOMER REFERENCE ONLY.</small> <small>UNLESS OTHERWISE SPECIFIED TOLERANCES FOR MILLIMETERS ARE:</small> 0.5 - 8mm ± 0.20mm 8 - 30mm ± 0.40mm 30 - 120mm ± 0.50mm <small>UNLESS OTHERWISE SPECIFIED TOLERANCES FOR INCHES ARE:</small> .020 - .315 = ± 0.007" .315 - 1.180 = ± 0.015" 1.180 - 4.724 = ± 0.020"	APPROVALS	DATE	<h1 style="text-align: center;">Amphenol Connex</h1>				
7					DRAWN	G.R.S.					07/25/05
6					CHECKED			PART DESCRIPTION			
5					ISSUED			SMA SHORTING PLUG			
4	GASKET	SILICONE	RED	1	SHEET	1 OF 1	PART NO.				
3	CONTACT PIN	BRASS	GOLD	1			132331				
2	RETAINER RING	BER. COPPER	NATURAL	1			DWG. NO. 132331.DWG				
1	BODY	BRASS	GOLD	1	CAD FILE		REV. A	SIZE A	SCALE NA		
				DO NOT SCALE DRAWING	C:/132/132331.DWG						