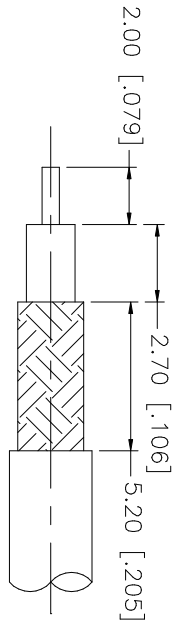
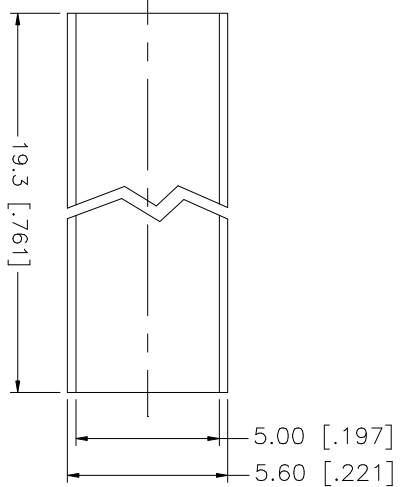
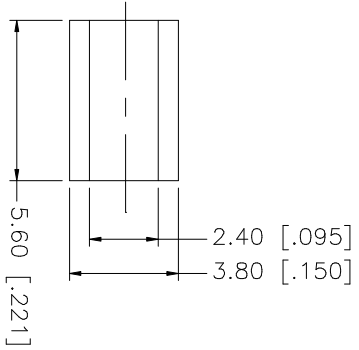
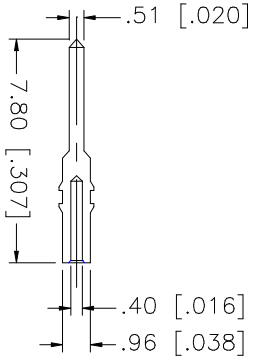
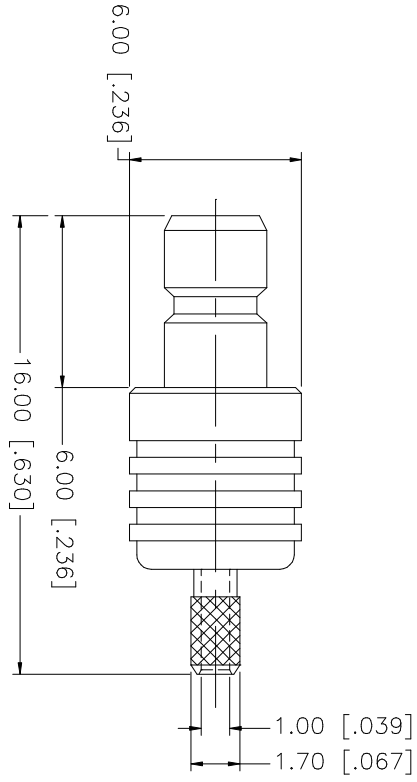


REV.	DATE	DESCRIPTION
A	03/22/06	UPDATE DRAWING FORMAT



RECOMMENDED  
CABLE STRIPPING DIM'S



8																			
7																			
6																			
5	HEAT SHRINK TUBE																		
4	FERRULE	COPPER	NICKEL	1															
3	CONTACT PIN	BRASS	GOLD	1															
2	INSULATOR	TEFLON	NATURAL	1															
1	BODY	BRASS	NICKEL	1															
	DESCRIPTION	MATERIAL	FINISH	QTY															
					UNLESS OTHERWISE SPECIFIED DIMENSIONS ARE IN MILLIMETERS. DIMENSIONS IN [ ] ARE IN INCHES AND FOR SUBSEQUENT REFERENCE ONLY. TOLERANCES FOR MILLIMETERS ARE: 0.5 - 8mm ± 0.20mm 8 - 30mm ± 0.40mm 30 - 120mm ± 0.50mm UNLESS OTHERWISE SPECIFIED TOLERANCES FOR INCHES ARE: .020 - .315 = ± 0.007" .315 - 1.180 = ± 0.015" 1.180 - 4.724 = ± 0.020"					DO NOT SCALE DRAWING					CAD FILE C:/142/142185.DWG				
					APPROVALS		DATE												
					DRAWN G.R.S.		03/22/06												
					CHECKED														
					ISSUED														
					SHEET 1 OF 1														
					PART NO.		142185												
					DWG. NO.		142185.DWG		REV. A		SIZE A		SCALE N/A						
					<div style="text-align: center;"> <h1>Amphenol Connex</h1> <p>SMB CRIMP JACK - 75ohm (FOR 179/U CABLE)</p> </div>														